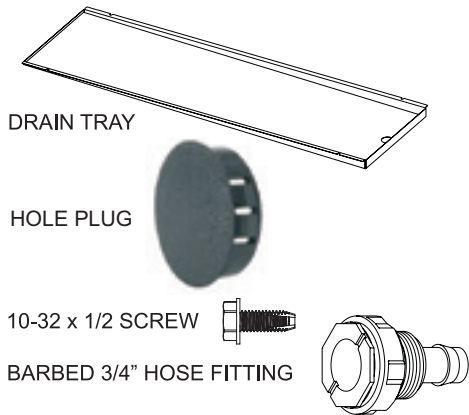


DT48LSS-1 OPTIONAL DRAIN TRAY KIT INSTALLATION INSTRUCTIONS

INSTRUCTIONS MUST BE LEFT WITH OWNER FOR FUTURE REFERENCE.



(images not shown to scale)

Includes	Part Number	Quantity
Drain Pan	34186	1
10-32 x 1/2 Screw	R11388	4
Barbed 3/4" hose fitting	R11945	1
Hole Plug	R12448	8

Required for Installation (Not provided):

- 3/4-inch I.D. Drain Tubing – Measure distance to drain location to determine length needed
- 3/4-inch Tubing Clamp
- May require hardware to support tubing to ensure drainage
- High-Quality Exterior-Grade Silicone Sealant

Tools Required:

- Phillips Screwdriver
- 5/16-inch Nut Driver
- Knife (to cut tubing)
- Slip-Joint Pliers

NOTICE: Illustrations are of the outdoor fireplace, but are also representative of the outdoor firepit models.
(8) 1 1/4-inch hole plugs (firepit installation only)

Installation

1. Place fireplace on a flat, level surface in an open area. Remove the fireplace or firepit control door by opening the door and lifting it upward to disengage the door slots from the pivot pins. Remove the two control door pivot bolts and washers. **See Figure 1.**

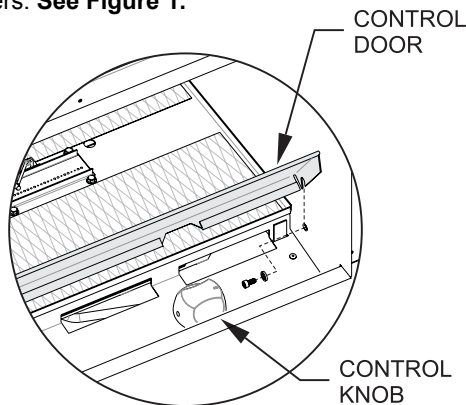


Figure 1

2. Remove the front and rear screens from the burner assembly. Lift and remove glass panel(s) from the burner (if installed). Place in a safe location to avoid damage. **See Figure 2.**

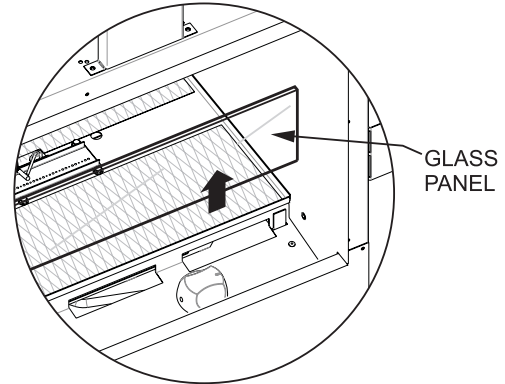


Figure 2

3. Verify that the burner assembly is secured to the fireplace with two screws located in the opposite front corners of the control panel, while attaching the drain pan.
4. Unpack the Drain Tray Kit. Place cardboard on the ground next to the end of the fireplace or firepit. Stand the fireplace or firepit on its end on the drain tray cardboard packaging.

CAUTION
Lifting and moving the fireplace requires more than one person.

5. Fasten the Drain Tray to the bottom of the fireplace using four 10-32 x 1/2 hex head screws. **See Figure 4.** The Drain Tray may be installed with the drain hole positioned at either end of the fireplace. **See Figure 3.**

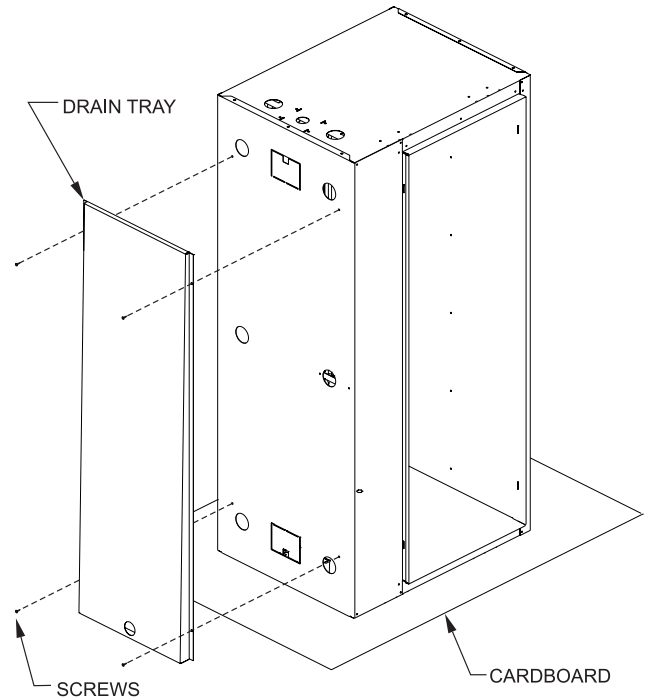


Figure 3

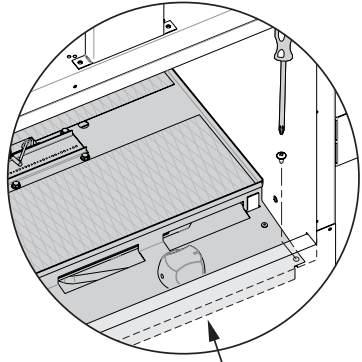
- Carefully lower the fireplace to the ground, then move the fireplace or firepit into its enclosure or framed opening.

CAUTION

Lifting and moving the fireplace requires more than one person.

- Remove the two screws on the front corners of the control panel with a Phillips screwdriver. See Figure 4.

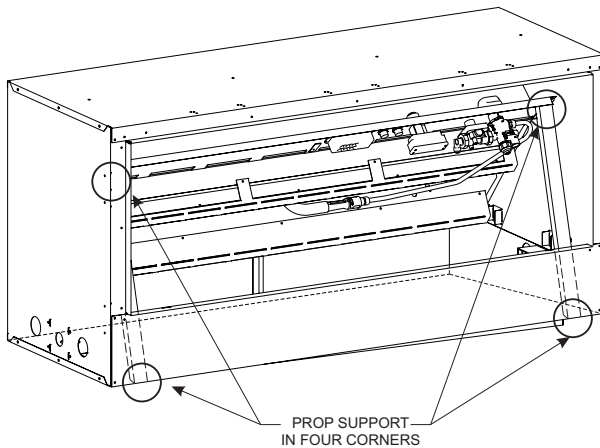
NOTICE: Firepit models will require a $\frac{9}{16}$ inch hex drive to remove these two screws.



BURNER ASSEMBLY

Figure 4

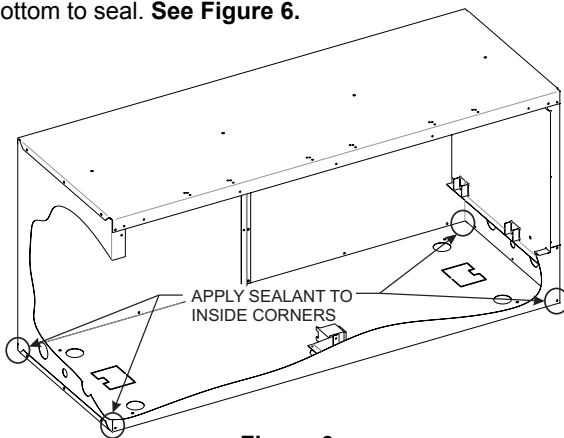
- Tilt up the burner assembly to access the interior of the fireplace. Retrieve the two supports from inside and prop up the burner by placing the two supports as shown in Figure 5.



PROP SUPPORT IN FOUR CORNERS

Figure 5

- Apply silicone sealant on the inside corners of fireplace bottom to seal. See Figure 6.



APPLY SEALANT TO INSIDE CORNERS

Figure 6

- Pull open the access door in the bottom of the fireplace which is above the drain tray drain hole. Install the hose fitting with gasket through the opening in the fireplace bottom and into the drain tray. Secure hand-tight with the supplied locking-nut from underneath the fireplace. See Figure 7.

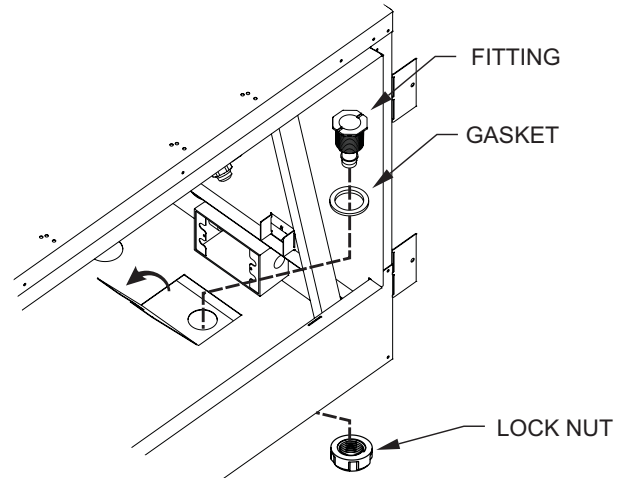


Figure 7

- Locate and create the opening in the fireplace or firepit enclosure for the drain tube to exit.
- Attach tubing and clamp to the drain tray fitting.
- Route the drain tubing through the exit opening in the enclosure. Avoid any dips or sharp bends that will hinder draining.
- If installing a drain pan to a firepit, install up to (8) $\frac{1}{4}$ inch dia hole plugs into extra gas line and electrical entry holes provided in the bottom of the firepit. These $\frac{1}{4}$ inch dia holes are located outside of the drain pan area. Apply sealant to the hole plugs prior to inserting them into the unused access holes to reduce leakage.
- If gas or electrical is entered through the bottom of the fireplace or firepit, it is the installers responsibility to properly seal off these areas to allow for proper water drainage.
- Continue with fireplace installation following the fireplace instruction manual.
- After making the internal connections to the fireplace and securing the burner assembly back in position, reinstall the front and rear screens removed in step 2.