

JEFFERSON SERIES VENT-FREE FIREBOXES



AMERICAN HEARTH



JEFFERSON DELUXE, PREMIUM, AND SELECT MODELS

- Variety of Sizes and Configurations
- Decorative Accessories Tailor Look to Your Décor
- Louver and Flush Front Models in Matte Black
- Blowers available for Louver and Flush Front models
- Refractory, Ceramic Fiber, and Metal Liners (varies by model)
- Accepts Any Certified Vent-Free Burner and Log Set
- Zero Clearance Certified
- Made in the U.S.A.

Jefferson Deluxe

Jefferson Deluxe fireboxes measure just 16 1/2 inches deep for the 32-inch model and 19 for the 36- and 42-inch models, yet still allow installation of a blower. We offer an assortment of decorative arched doors, louvers, and frames for the Deluxe fireboxes. Liners include four styles in ceramic fiber, one in refractory, plus Stainless Steel or Black Reflective (Deluxe only). Surround your fireplace with a traditional-style Cabinet or Corner mantel in one of four finishes, or choose stainable hardwood. For use with contemporary burners, we also offer stainless steel and reflective black liners to fit the Deluxe firebox.

Jefferson Premium

Jefferson Premium fireboxes add a little more overall depth – 20 9/16 inches – and a taller opening to showcase today's bigger log sets. Complete the Premium Firebox with one of four ceramic fiber liners, decorative accessories in three styles and four finishes, a blower – and even a lighting kit for use with a switch or dimmer control. Surround the installation with a traditional cabinet or corner mantel.

Jefferson Select

Our unique Jefferson Select vent-free gas firebox features a tall, deep stage for the log set, yet has compact outer dimensions and a low-profile top and bottom. The visual effect is a lot more fireplace with less of the firebox face showing. The Jefferson Select has no lower louvers, allowing it to be installed at floor level, yet still provide the benefit of a recirculating firebox with optional blower. The low floor height allows installation at or near floor level, for a natural, integrated look that creates the illusion of a site-built fireplace – at a fraction of the cost.



*Jefferson Deluxe 36 Vent-Free
Flush Firebox with pre-installed Refractory Liner*



*Jefferson Premium 32 Vent-Free
Louvered Firebox with Traditional Liner*



*Jefferson Select 42 Vent-Free
Firebox with Herringbone Liner*

Jefferson Multisided

Jefferson Multisided fireboxes are available in two options – a Peninsula (three open sides), or a See-Through (two open sides). Jefferson Multisided fireboxes accept any properly sized, certified vent-free burner and log set, such as the 18-inch, 24-inch, or 30-inch Slope Glaze Vista Burner, with a Shiloh Ceramic fiber log set or a Raleigh refractory log set.

Jefferson Multisided fireboxes come with conventional louvers or in a flush face model that can be completely bricked or tiled into place, yet still allow use of the circulation blower. These fireboxes also include curtain-style screens, Banded Brick Liners, and refractory sills.



The Jefferson Premium 36-inch Peninsula Vent-Free Firebox in flush-face, shown with Slope Glaze Vista Burner and Raleigh refractory log set.



Jefferson 36 See-Through Firebox shown with Polished Black Liner, Slope Glaze Vista Burner and Shiloh ceramic fiber log set.



Rugged looking refractory logs give the Raleigh Log Set a rustic look on a grand scale. (Opposite side view)



Shiloh ceramic fiber Log Set provides a different look from every angle. The Slope Glaze Vista Built-in Burners conceal their controls behind a sliding panel.

LINERS

Our brick liners give your new firebox the look of a real masonry fireplace.



Traditional Brick
(Ceramic Fiber)



Aged Brick
(Ceramic Fiber)



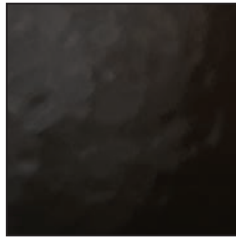
Banded Brick
(Ceramic Fiber)



Stacked Fieldstone
(Ceramic Fiber)



Herringbone Brick
(Ceramic Fiber)



Polished Black Metal
(Deluxe Fireboxes only)



Brushed Stainless
(Deluxe Fireboxes only)

BLOWER & ACCENT LIGHTING

The optional automatic blower circulates the warm air throughout the room. Add the optional variable-speed control to adjust the fan speed.

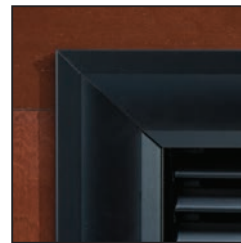
An optional Accent Lighting Kit (LK3) for Premium and Select models creates dramatic shadows inside the firebox to provide visual interest, even when no fire is burning.

OUTER FRAMES AND BOTTOM TRIM

Our metal three-piece outer frames let you transition from your fireplace to any adjoining surface – wooden mantel, tile, stone, or any noncombustible material. Choose from steel frames – with traditional crisp lines – or our extruded aluminum frames – with a profile that combines gentle concaves with flat surfaces. Each is available in matte black or hammered pewter.

The available bottom trim completes the fourth side of the color frame.

Extruded Aluminum Frames

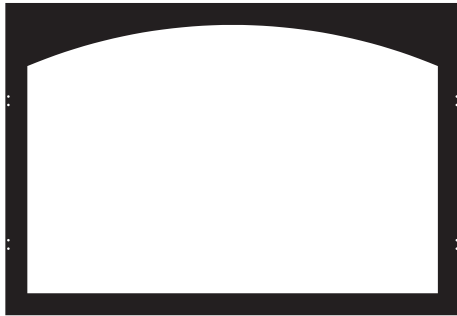


Matte Black
(On Cherry Mantel)



Hammered Pewter
(On Oak Mantel)

DECORATIVE FRAMES



Decorative Door Frame Arch

DECORATIVE LOUVERS



Decorative Louver Arch

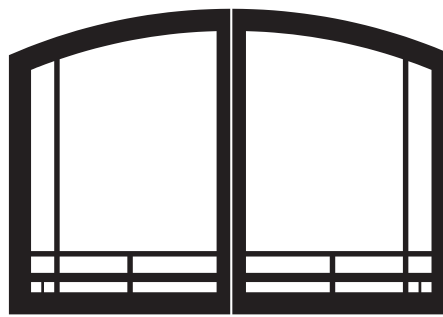


Decorative Louver Mission

DECORATIVE DOORS – include handles, screens, and hinges



Decorative Door Plain Arch



Decorative Door Mission Arch

Jefferson Decorative Trim is available in Classic Matte Black or Rich Hammered Pewter.



Jefferson Deluxe 36 Flush Firebox trimmed in Matte Black Outer Frame with Ravenwood Refractory Log Set, and Stacked Fieldstone Liner in Custom Mantel

LOG SETS AND BURNERS

The hand-painted ceramic fiber or refractory log sets complement the flames from any of our Vent-Free burners. At 99.9 percent efficient, our Vent-Free burners deliver more heat for your energy dollars.

We offer burners with a variety of control and ignition systems – from manual valves with a standing pilot, to Millivolt valves with standing pilot to electronic valves with electronic ignition to eliminate the standing pilot. Millivolt and electronic systems work with our remotes and thermostats to add comfort and convenience.

See the American Hearth Vent-free Gas Log brochure for complete specifications.



*Refractory Charleston Log Set (ALS-24CR1)
with Slope Glaze Burner System (VFSSR-24)*



*Refractory Charleston Select Log Set (ALS-24CR1S)
with Slope Glaze Burner System (VFSSR-24)*



*Refractory Ravenwood Log Set (ALS-24RV)
with Slope Glaze Burner System (VFSSR-24)*



*Refractory Ravenwood Select Log Set (ALS-24RVS)
with Slope Glaze Burner System (VFSSR-24)*



*Refractory Williamsburg Log Set (ALS-24CR2)
with Slope Glaze Burner System (VFSSR-24)*



*Refractory Yorktown Log Set (ALS-24YK)
with Slope Glaze Burner System (VFSSR-24)*



*Refractory Saratoga Log Set (ALS-24SG)
with Slope Glaze Burner System (VFSR-24)*



*Ceramic Fiber Trenton Log Set and
Contour Burner Combination (AVFDR-24LB)*



*Refractory Concord Log Set and
Contour Burner Combination (AVFDM-24LBW)*



*Kennesaw Log Set (HLS24R1) on HearthRite Burner (HVFM24),
both Imported, available in 18-inch and 24-inch only.*



*Loft Series Contemporary Burner (VFRL-24)
shown with Reflective Black Decorative Top (DT24-PB)*



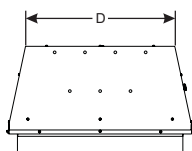
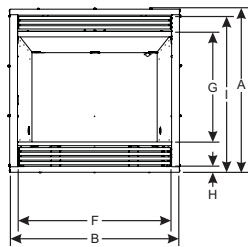
Jefferson Select Firebox shown with Banded Brick Liner, Williamsburg log set on a Slope Glaze Burner, Black Outer Frame, and Lighting Kit (available for Premium and Select Models only).

JEFFERSON FIREBOX SPECIFICATIONS

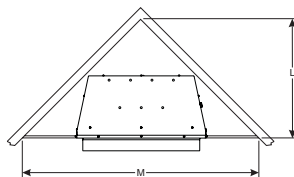
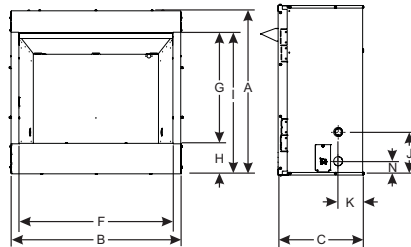
Model	A	B	C	D	E	F	G	H	I	J	K	L	M	N
Louvered Models														
VFD32FB	33	35	16 1/2	27 7/8	—	31	22 1/4	1 3/16	31 1/2	8 5/16	4 3/4	30 1/4	60 3/8	2 11/16
VFD36FB	35	40	19	31 7/8	—	36	24 1/4	1 3/16	33 1/2	8 5/16	4 3/4	34 5/8	69 1/8	2 11/16
VFD42FB	35	44	19	35 7/8	—	40	24 1/4	1 3/16	33 1/2	8 5/16	4 3/4	36 5/8	73	2 11/16
VFP32FB	38 1/16	34 7/8	20 5/8	26 1/4	—	31	27 7/16	1 3/16	37	8 5/16	4 15/16	33 1/2	67	2 3/4
VFP36FB	38 1/16	39 7/8	20 5/8	31 1/4	—	36	27 7/16	1 3/16	37	8 5/16	4 15/16	36	72	2 3/4
VFP42FB	38 1/16	43 7/8	20 5/8	35 1/4	—	40	27 7/16	1 3/16	37	8 5/16	4 15/16	38	76	2 3/4
Flush Models														
VFD32FB	33	35	16 1/2	27 7/8	—	31	22 1/4	6 1/8	28 3/8	8 5/16	4 3/4	30 1/4	60 3/8	2 11/16
VFD36FB	35	40	19	31 7/8	—	36	24 1/4	6 1/8	30 3/8	8 5/16	4 3/4	34 5/8	69 1/8	2 11/16
VFD42FB	35	44	19	35 7/8	—	40	24 1/4	6 1/8	30 3/8	8 5/16	4 3/4	36 5/8	73	2 11/16
VFP32FB	38 1/16	34 7/8	20 5/8	26 1/4	—	31	27 1/2	6 1/8	33 5/8	8 5/16	4 15/16	33 1/2	67	2 3/4
VFP36FB	38 1/16	39 7/8	20 5/8	31 1/4	—	36	27 1/2	6 1/8	33 5/8	8 5/16	4 15/16	36	72	2 3/4
VFP42FB	38 1/16	43 7/8	20 5/8	35 1/4	—	40	27 1/2	6 1/8	33 5/8	8 5/16	4 15/16	38	76	2 3/4
VFS32FB	38 1/16	34 1/4	23 3/16	25 1/16	—	31	31 5/8	2	33 5/8	—	7 9/16	40 7/16	70 15/16	4 1/4
VFS36FB	38 1/16	39 1/4	23 3/16	30 1/16	—	36	31 5/8	2	33 5/8	—	7 9/16	42 15/16	75 15/16	4 1/4
VFS42FB	38 1/16	43 1/4	23 3/16	31 1/16	—	40	31 5/8	2	33 5/8	—	7 9/16	44 15/16	79 15/16	4 1/4

See Owner's Manual for complete Firebox specifications.

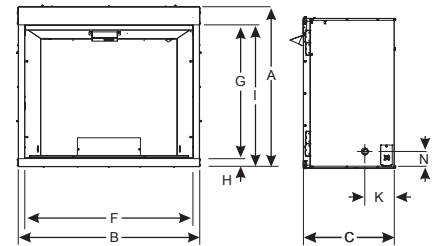
Louvered Fireboxes



Flush Fireboxes



Select Fireboxes



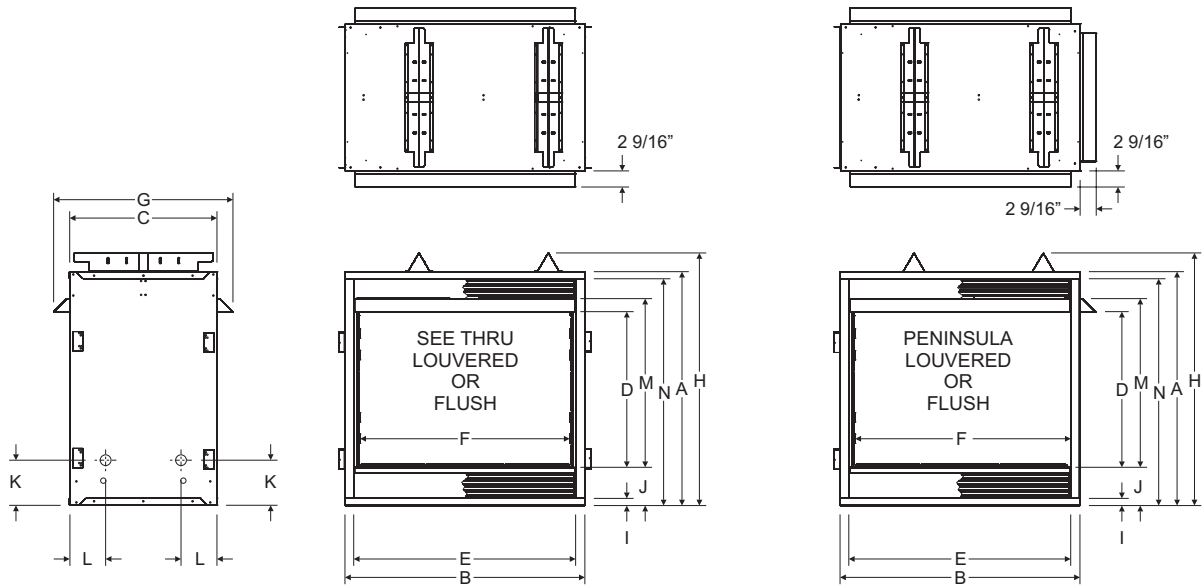
JEFFERSON MULTISIDED FIREBOX SPECIFICATIONS

Model	Jefferson Vent-Free Multisided or Peninsula Fire Box
VFP-36-PB2EF	Jefferson Premium VF 36 Peninsula Fire Box, Flush Face, Banded Brick Ceramic Fiber Liner
VFP-36-PB2EL	Jefferson Premium VF 36 Peninsula Fire Box, Louvered, Banded Brick Ceramic Fiber Liner
VFP-36-SB2EF	Jefferson Premium VF 36 See-Through Fire Box, Flush Face, Banded Brick Ceramic Fiber Liner
VFP-36-SB2EL	Jefferson Premium VF 36 See-Through Fire Box, Louvered, Banded Brick Ceramic Fiber Liner

JEFFERSON MULTISIDED FIREBOX DIMENSIONS

Model	A	B	C	D	E	F	G	H	I	J	K	L	M	N	Max Weight (lb)	Input Btu Nat Max/Min LP Max/Min
VFP-36-PB2EF	38 1/8	39	24	25 1/2	36	35 1/4	29 1/8	41 1/8	1 1/4	6 1/8	7 1/2	6	27 5/8	36 7/8	145	—
VFP-36-PB2EL	38 1/8	39	24	25 1/2	36	35 1/4	29 1/8	41 1/8	1 1/4	6 1/8	7 1/2	6	27 5/8	36 7/8	145	—
VFP-36-SB2EF	38 1/8	39	24	25 1/2	36	34 1/4	29 1/8	41 1/8	1 1/4	6 1/8	7 1/2	6	27 5/8	36 7/8	140	—
VFP-36-SB2EL	38 1/8	39	24	25 1/2	36	34 1/4	29 1/8	41 1/8	1 1/4	6 1/8	7 1/2	6	27 5/8	36 7/8	140	—

See Owner's Manual for Multisided framing dimensions and Peninsula mantel specifications.



MULTISIDED LOFT SERIES BURNERS

The 24-inch Multi-sided Loft Burner (36,000 Btu) is ideal for Peninsula and See-Through fireboxes. Like other Loft burners, the Multi-sided system can be tailored to your living space with decorative tops (in Stainless Steel and Polished Black) or glass (in Clear Frost, Blue Clear, and Polished Black). Optional liners, in brushed stainless steel and reflective black, fit Empires 36-inch Peninsula and See-Through fireboxes.

Log Set Descriptions

Model	Log Set Description	Vista Burner	Ship Wt. (lb)	Model	Log Set Description	Vista Burner	Ship Wt. (lb)
Refractory				Ceramic Fiber			
LSU-18RR	Rock Creek, 9-Log	18	48	LSU-18SF	Stone River, 5-Log	18	6
LSU-24RR	Rock Creek, 11-Log	24	58	LSU-24SF	Stone River, 6-Log	24	9
LSU-30RR	Rock Creek, 11-Log	30	66	LSU-30SF	Stone River, 6-Log	30	10

Vented/Vent-Free Slope Glaze Vista Burners

Model	Description	Log Length (inches)	Btu Input	Non-Empire Minimum Firebox Dimensions				Ship Wt. (lb)
				Front Width (inches)	Rear Width (inches)	Depth (inches)	Height (inches)	
On/Off Millivolt, Standing Pilot								
VFSUR-18	Slope Glaze Vista Burner	18	36,000	22	22	17	17	34
VFSUR-24	Slope Glaze Vista Burner	24	38,000	28	28	17	18	43
VFSUR-30	Slope Glaze Vista Burner	30	40,000	32	32	17	18	49

Vented/Vent-Free Multi-sided Loft Series Burners

Model	Description	Btu Input	Fits Empire Fireboxes	Non-Empire Minimum Firebox Dimensions				Ship Wt. (lb)
				Front Width (inches)	Rear Width (inches)	Depth (inches)	Height (inches)	
On/Off Millivolt, Standing Pilot								
VFRU-24	Multi-Sided Loft Burner, 24-inch	36,000	VFP36(S,P)B	32	32	17 1/2	18	20
Intermittent Pilot, Includes Thermostat Variable Remote Control								
VFIU-24	Multi-Sided Loft Burner, 24-inch	36,000	VFP36(S,P)B	32	32	17 1/2	18	20

JEFFERSON DELUXE, PREMIUM, AND SELECT FIREBOX FRAMING DIMENSIONS

Model	Framing Height	Framing Width	Framing Depth
VFD32FB	33 3/4	35 1/2	16 1/4
VFP32FB	38 7/8	35 3/8	20 9/16
VFS32FB	38 7/8	35 3/8	23 3/8
VFD36FB	35 3/4	40 1/2	18 3/4
VFP36FB	38 7/8	40 3/8	20 9/16
VFS36FB	38 7/8	40 3/8	23 3/8
VFD42FB	35 3/4	44 1/2	18 3/4
VFP42FB	38 7/8	44 3/8	20 9/16
VFS42FB	38 7/8	44 3/8	23 3/8

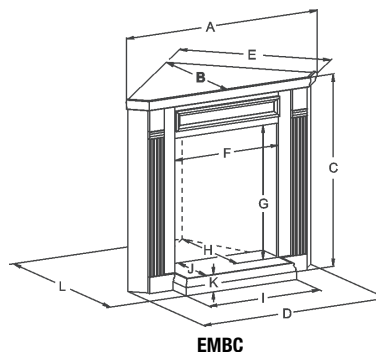
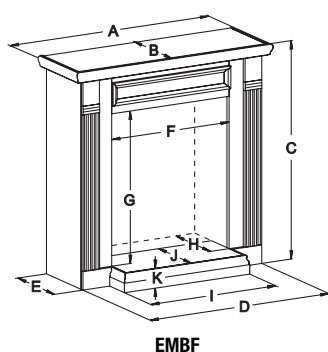
JEFFERSON MULTISIDED FIREBOX FRAMING DIMENSIONS

Model	Framing Height	Framing Width	Framing Depth
VFP36SP	41 1/2	40	23
VFP36PP	41 1/2	39	23

JEFFERSON MANTEL SPECIFICATIONS

Model	A Top Width	B Top Depth	C Height	D Cabinet Width	E Cabinet Depth	F Opening Width	G Opening Height	H Inside Depth	I Base Width	J Base Depth	K Base Height	L Corner Depth	Fits
EMBF-1S	56 3/4	22 1/4	51 3/8	49	19 1/8	34 1/2	33 3/4	18 1/2	38 1/2	22 1/2	3 1/4	–	Deluxe 32
EMBF-3S	62 3/4	25 3/4	53 3/8	55	22 5/8	40 1/2	35 3/4	22	44 1/2	22 1/2	3 1/4	–	Deluxe 36
EMBF-4S	66 3/4	25 3/4	53 3/8	59	22 5/8	44 1/2	35 3/4	22	48 1/2	22 1/2	3 1/4	–	Deluxe 42
EMBC-1S	63	37 1/4	51 3/8	57 3/4	44 1/2	34 1/2	33 3/4	33 1/2	38 1/2	20 3/4	3 1/4	40	Deluxe 32
EMBC-3S	69	40 1/4	53 3/8	63 3/4	48 3/4	40 1/2	35 3/4	36 1/2	44 1/2	20 3/4	3 1/4	43	Deluxe 36
EMBC-4S	73	42 1/4	53 3/8	67 3/4	51 5/8	44 1/2	35 3/4	38 1/2	48 1/2	20 3/4	3 1/4	45	Deluxe 42

Standard Mantels available in cherry, dark oak, oak, white, and unfinished hardwood. See Owner's Manual for Peninsula mantel specifications.



Warranty

All Vent-Free products carry a five-year limited warranty with a five-year limited labor warranty.
All remote controls carry a one-year limited warranty.

Vent-Free appliances may be installed in an aftermarket (mobile) home where not prohibited by state or local codes. The approval (G1-0504-90B) has been granted subject to the installation in compliance with CMR 248, 527 CMR 30, Massachusetts State Plumbing Code and/or the Massachusetts Fuel Gas Code.

Member of the following industry associations:



This appliance is design-certified to the ANSI standard by:



SINCE 1932

918 Freeburg Ave.
Belleville, IL 62220-2623
e-mail: info@empirecomfort.com

Empire is committed to continuous product improvement; specifications are subject to change without notice. Dimensions in this brochure are approximate; read and follow the framing dimensions in the owners manual supplied with your Empire product. Flame size, shape, and color will vary from photos.

AH-00828 4/15/18