



LOFT SERIES DIRECT-VENT FIREPLACES





Loft Medium Direct-Vent  
Fireplace with Eclipse Front  
in Stainless Steel



## *Loft Contemporary Direct-Vent Fireplaces*

Available in two sizes, 18,000 and 23,000 Btu, Loft Series fireplaces let you exhibit your flair for contemporary design.

Designed for in-wall or mantel installation, Loft fireplaces feature state-of-the-art technology for extraordinary performance.

Flickering yellow flames dance atop the linear burner reflecting light off the glass and the porcelain liner to create a nearly infinite flame effect - making your Loft fireplace mesmerizing from any angle.

### *Fireplace Controls*

Millivolt systems operate without electricity to provide heat even in a power outage and operate with an optional on-off remote control or wall switch.

Our Intermittent Pilot (IP) system improves efficiency by eliminating the standing pilot light. IP systems include an on/off switch - add a remote control to light your fireplace from anywhere in the room. In the event of a power outage, your IP system can operate using a battery back up.

## Surrounds, Fronts and Accessories

Tailor your Loft fireplace to your décor with one of two surrounds or the Eclipse front.

The elegant matte black surround frames the fireplace and emphasizes the interior. The two-tone surround - with bold stainless steel panels at the top and bottom joined by matte black verticals - accentuates the horizontal lines of the fireplace.

Or choose the contemporary *Eclipse* front to add a slight projection into the room. Available in matte black, hammered pewter, and stainless steel.

The front attaches in minutes to the one-piece metal surround and includes a fireplace barrier screen. The screen protects you and your family from inadvertently touching the hot glass - but without detracting from the overall view of the fireplace.

### Surrounds



Matte Black Surround

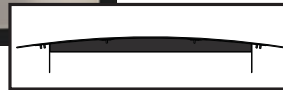


Stainless Steel & Matte Black Surround

### Front



Eclipse Front\*



Eclipse Top View

\*Shown with 1-piece Metal Surround, required for Installation

### Decorative Glass

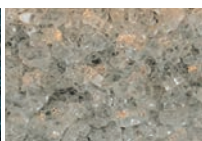
(optional)



Black Polished  
Decorative Glass



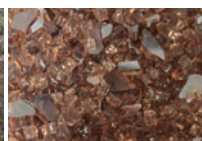
Blue Clear  
Decorative Glass



Clear Frost  
Decorative Glass



Bronze Reflective  
Decorative Glass

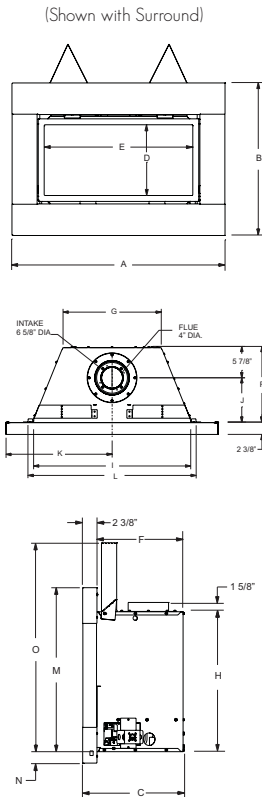


Copper Reflective  
Decorative Glass

## Loft Series Direct-Vent Fireplace Dimensions (in inches)

Dimensions are approximate - See owner's manual

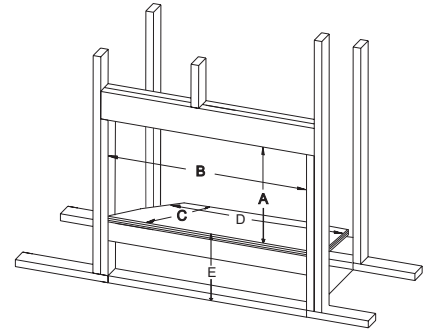
	DVL25FP	DVL33FP
A	37 1/2	40 1/2
B	26	29
C	14 1/4	16 3/4
D	10 7/16	13 7/16
E	25 1/4	28 1/4
F	12 7/8	14 3/8
G	17	18 7/8
H	20 1/8	23 1/8
I	27	30
J	6 7/8	8 1/2
K	18 3/4	20 1/4
L	29	32
M	24 3/16	27 3/16
N	2	2
O	31 3/8	34 3/8



## Minimum Combustible Framing Dimensions (in inches)

Dimensions are approximate - See owner's manual

	DVL25FP	DVL33FP
A	32 1/4	35 1/4
B	29	32
C	15 7/8	17 7/8
D	21	22 3/4
E	4 (Min.)	4 (Min.)



### GAS INLET

Type of Gas	Natural or LP
Iron Pipe Size (N.P.T.)	1/2 inch
Ignition Systems	Standing Pilot/Piezo or IP
Vent Size	4 x 6 5/8-inch (see manual for venting requirements)

### WARRANTY

10-year limited warranty on combustion chamber,  
limited lifetime on glass.  
All other parts carry a 3-year limited warranty.  
All remote controls carry a 1-year limited warranty.

Empire is committed to continuous product improvement; specifications are subject to change without notice. Dimensions in this brochure are approximate; read and follow the framing dimensions in the owners manual supplied with your Empire product. Flame size, shape, and color will vary from photos.

All direct-vent fireplaces manufactured after January 1, 2015, must be installed with a barrier screen to prevent accidental contact with hot glass. Depending on the fireplace model, the barrier screens are available separately or incorporated into decorative fronts. See owner's manual for details.

Member of the following industry associations:



This appliance is design-certified  
to the ANSI standard by:



SINCE 1932

Empire Comfort Systems  
918 Freeburg Ave. Belleville, IL 62220-2623  
info@empirecomfort.com

ECS-00903 4/15/18

The Empire Comfort Systems names and logos are registered U.S. trademarks.