

MADISON PREMIUM CLEAN-FACE
DIRECT-VENT MULTI-SIDED FIREPLACES



A GREAT VIEW FROM ANY ANGLE

Both Madison Peninsula and See-through models feature an attractive clean-face design that integrates the barrier screens into the fireplace – flush with the fireplace face – allowing you to install tile, brick, or other non-combustible materials right up to the fireplace opening.

Choose between the hand-painted Campfire Logs or Mixed Logs and Stones to customize your fireplace. Both multi-sided fireplaces are rated at 34,000 Btu (Nat) / 34,000 Btu (LP), and include non-combustible board for installation above the fireplace. Additional non-combustible materials may be required. See installation manual.



Direct-Vent Premium See-Through Fireplace, Cottage Brick Liner with Soldier Course, and Campfire Logs

Direct-Vent Premium Peninsula Fireplace, Cottage Brick Liner with Soldier Course, and Mixed Stones and Logs



LINERS

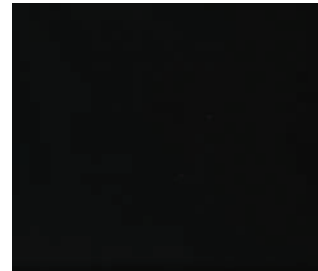
For Madison Premium Clean-Face multi-sided fireplace models, choose a hand-painted ceramic fiber liner in Cottage Brick with Soldier Course, or Fluted Black. Or select a Black Porcelain liner to enhance the illusion of flame and depth.



Cottage Brick with Soldier Course



Black Fluted



Black Porcelain

LIGHTING KIT & BLOWER

The available lighting kit draws attention to the intricate details in the log set and liner – even when no fire is burning. Enhance heat distribution with the optional variable-speed blower. Both the light and blower include a rheostat control.



Optional Lighting Kit



Optional Variable-Speed Blower

CONTROL OPTIONS

Your Madison Clean-Face Peninsula or See-Through Fireplace is available in Millivolt – with a standing pilot for simple, reliable operation all winter long. Or choose our energy-saving Intermittent Pilot ignition. The IP system includes battery backup to operate in a power outage and can switch to a standing pilot to warm your home during an extended power failure. Both the Millivolt and IP systems work with our control accessories – from a simple on/off remote to a thermostat to a programmable thermostat remote.



*FRBTP Programmable
Remote Control
Millivolt or IP*



*FRBC
Remote Control
Millivolt Only*



*FRBTC Thermostat
Remote Control
Millivolt or IP*



*RVKP or RVKN
Remote Control
IP Only*



*TRW
Wall Thermostat*



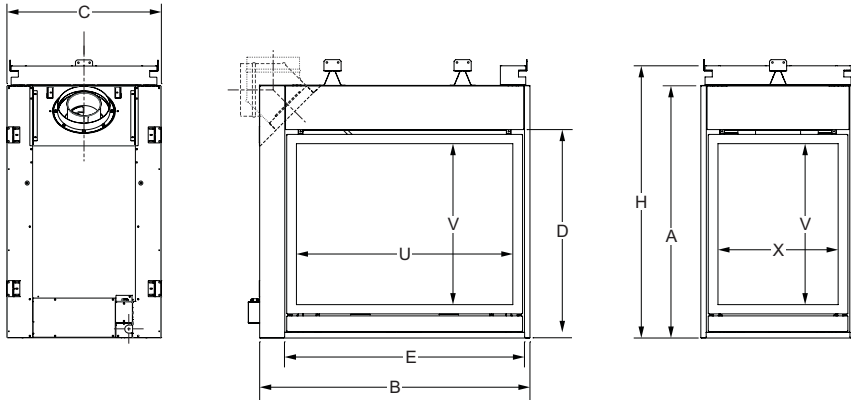
*TMV
Wall Thermostat*



*FWS
Wall Switch*

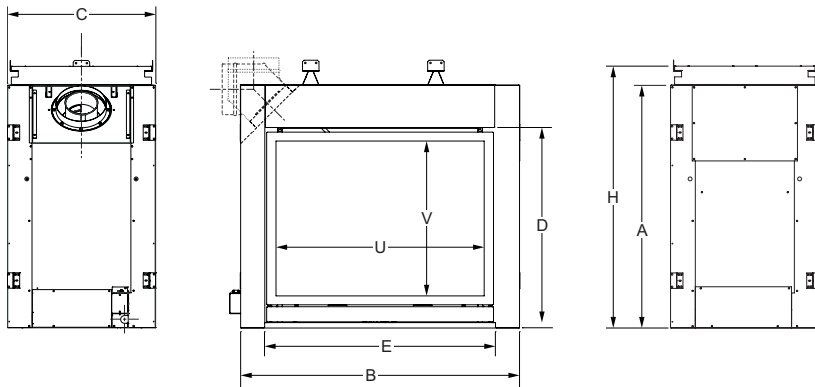
DV PREMIUM PENINSULA FIREPLACE DIMENSIONS

Model	A Max Height	B Max. Width	C Max. Depth	D Height	E Width	F Interior Depth	H Height to Standoffs	U Viewing Area Width	V Viewing Area Height	X Viewing Area Width - Sm
DVCP36PP30	39 1/4	42	24	31 1/2	37 1/4	20 1/4	42 3/8	33 5/8	25	18 5/8
DVCP36PP70	39 1/4	42	24	31 1/2	37 1/4	20 1/4	42 3/8	33 5/8	25	18 5/8



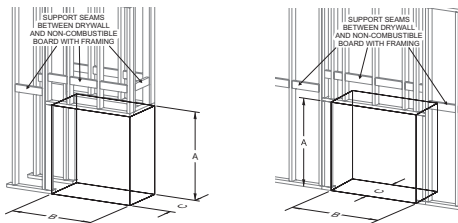
DV PREMIUM SEE-THROUGH FIREPLACE DIMENSIONS

Model	A Max Height	B Max. Width	C Max. Depth	D Height	E Width	F Interior Depth	H Height to Standoffs	U Viewing Area Width	V Viewing Area Height
DVCP36SP30	39 1/4	45	24	31 1/2	37 1/4	20 1/4	42 3/8	33 5/8	25
DVCP36SP70	39 1/4	42	24	31 1/2	37 1/4	20 1/4	42 3/8	33 5/8	25



MINIMUM FIREPLACE OPENING DIMENSIONS

Model	A	B	C
DVCP36PP	42 1/2	41 3/4	23
DVCP36SP	42 1/2	45 1/2	23



Gas Inlet	
Type of Gas	Natural or LP
Iron Pipe Size (N.P.T.)	1/2 inch
Ignition Systems	Standing Pilot/Piezo or IP
Warranty	
10-year limited warranty on combustion chamber, limited lifetime on glass.	
All other parts carry a three-year limited warranty.	
All remote controls carry a one-year limited warranty.	
All direct-vent fireplaces manufactured after January 1, 2015, must be installed with a barrier screen to prevent accidental contact with hot glass. Depending on the fireplace model, the barrier screens are available separately or incorporated into decorative fronts. See Owner's Manual for details.	
Refer to your Owner's Manual for complete installation and safety information.	

Member of the following industry associations:



This appliance is design-certified to the ANSI standard by:

Empire is committed to continuous product improvement; specifications are subject to change without notice. Dimensions in this brochure are approximate; read and follow the framing dimensions in the owners manual supplied with your Empire product.

EMPIRE
COMFORT SYSTEMS
SINCE 1932
918 Freeburg Ave.
Belleville, IL 62220-2623
e-mail: info@empirecomfort.com

AH-00980 05/01/18