



Renegade Clean-Face Direct-Vent Fireplace Inserts
WITH TRUFLAME TECHNOLOGY





RENEGADE CLEAN-FACE Direct-Vent Fireplace Inserts



Available in 30-inch and 35-inch models, Renegade Direct-Vent Inserts turn your wood-burning fireplace into an attractive and efficient centerpiece. The TruFlame system combines technology with aesthetics to create truly realistic flames and a glowing ember bed, reminiscent of a wood fire.

Beneath the logs, the massive field of glowing embers assures everyone that this fireplace has been warming your home all day. Concealed beneath the logs and embers, the two burners let you vary the flame and the heat output to create the perfect mood.



Renegade 30 Fireplace Insert
with Cottage Brick Liner,
Traditional Charred Log Set,
and Matte Black Surround

INSPIRING VERSATILITY

Liners & Logs

(ONE OF EACH REQUIRED)



Traditional Stone



Cottage Brick



Black Glass



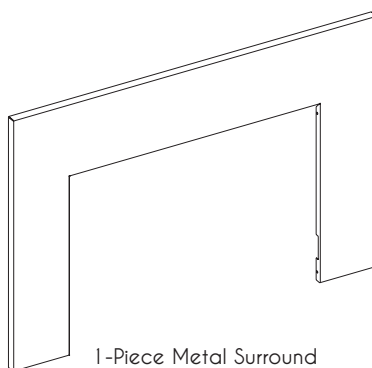
Traditional Charred Log Set



Driftwood Log Set

Surrounds & Fronts

(SURROUND REQUIRED; FRONT OPTIONAL)



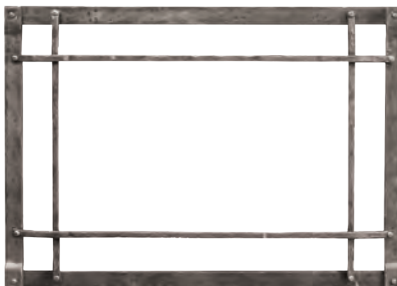
1-Piece Metal Surround
(Matte Black)

Metal Surround Dimensions	
DVCT30CBN	DVCT35CBN
36 x 24 x 1*	40 x 29 x 1*
40 x 27 x 1	44 x 31 x 1
42 x 29 x 1*	48 x 33 x 1*
44 x 31 x 1	52 x 36 x 1

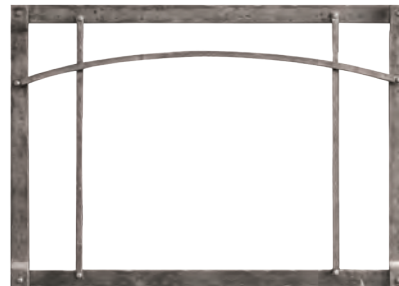
*Note: Also available in flush



Forged Iron Front



Forged Iron Front and Rectangle Inset
(Front and Inset sold separately)



Forged Iron Front and Arch Inset
(Front and Inset sold separately)



Renegade 35 Fireplace
Insert with Black Glass
Liner, Driftwood Log Set,
Forged Iron Front,
Rectangle Inset, and
Matte Black Surround

TRUFLAME TECHNOLOGY

Most Realistic Flames

Complementing the logs and giant ember bed, TruFlame Technology includes two burners for independent front/rear burner control of the ultra-realistic flames. With both burners in your control, you can call for a roaring fire, a low glow, or anywhere in between.

The multifunction remote operates as a conventional thermostat, a Smart Thermostat which modulates flame height as the room reaches the desired temperature, or as a manual control. The remote also operates the included accent light and blower.

STANDARD FEATURES

Your Renegade Direct-Vent Insert includes an accent light and blower. Customize your insert further by choosing a liner and log set (both required), and finish it with a required surround and optional front.

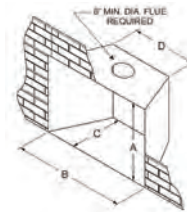
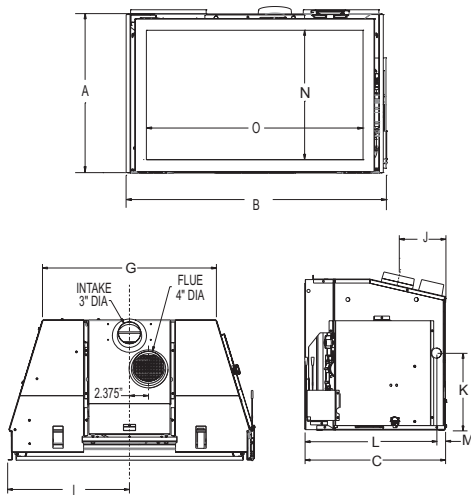
- Accent Light
- Blower

Insert Dimensions		
DIMENSION	DVCT30CBN	DVCT35CBN
A	19"	24"
B	30-11/16"	34-3/4"
C	17-9/16"	18-9/16"
G	21-11/16"	25-1/8"
I	15-1/8"	17-1/8"
J	5-7/8"	6-15/16"
K	9-3/4"	9-1/4"
L	16-7/16"	16-13/16"
M	1-1/8"	1-13/16"
N	15-1/4"	20-1/4"
O	25-1/2"	29-1/2"

Btus (Max / Min)		
	DVCT30CBN	DVCT35CBN
Natural	30,000 / 8,500*	39,000 / 10,000*
LP	28,500 / 10,000*	35,000 / 11,000*

*Minimum with front burner only

Minimum Fireplace Opening Dimensions		
	DVCT30CBN	DVCT35CBN
A	19-1/2"	24-1/2"
B	31-1/4"	35-1/4"
C	18"	19"
D	22"	25-3/4"



Specifications

Type of Gas	Natural or LP
Iron Pipe Size (N.P.T.)	1/2-inch
Ignition Systems	Multi Function Remote with IP
Venting	3x4-inch Flex Vent

Warranty

10-year limited warranty on combustion chamber, limited lifetime on glass.
 All other parts carry a three-year limited warranty.
 All remote controls carry a one-year limited warranty.

Member of the following industry associations:



This appliance is design-certified to the ANSI standard by:



Empire is committed to continuous product improvement; specifications are subject to change without notice. Dimensions in this brochure are approximate; read and follow the framing dimensions in the owners manual supplied with your Empire product. Flame size, shape, and color will vary from photos.

Empire Comfort Systems Inc.
 918 Freeburg Ave.
 Belleville, IL 62220-2623
 info@empirecomfort.com
 AH-01018 03/15/18