

# DVP SERIES LINER KITS INSTALLATION INSTRUCTIONS

## LINER KITS FOR USE WITH DVD, DVCD, DVP, AND DVX SERIES FIREPLACES

INSTRUCTIONS MUST BE LEFT WITH OWNER FOR FUTURE REFERENCE AFTER INSTALLATION.

- Using gloves, unpack liner components and check for damaged or missing components.
- Lower bottom louver and remove upper louver on fireplace.
- Remove glass fame assembly from fireplace.
- Remove top twig(s) and rear log(s) from burner assembly.
- For DVD, DVCD and DVP series fireplaces only, place the top brick panel into brick panel holder. With needle-nose pliers, carefully bend hold-down tabs on brick holder over the edges of the top brick panel. The hold-down tabs will secure the top brick panel in place.
- Place brick panel (rear) against rear wall in fireplace.

**NOTICE:** The top edge will have a half-moon cutout relief to match up with the rear flue vent hole (DVD, DVCD and DVP Fireplaces only).

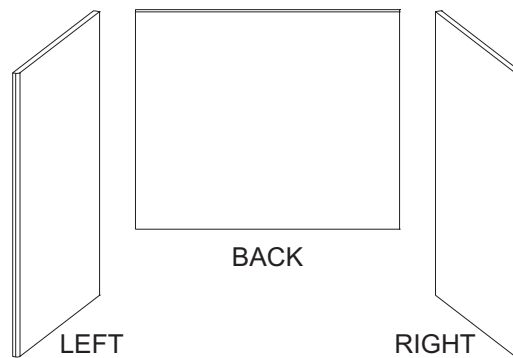
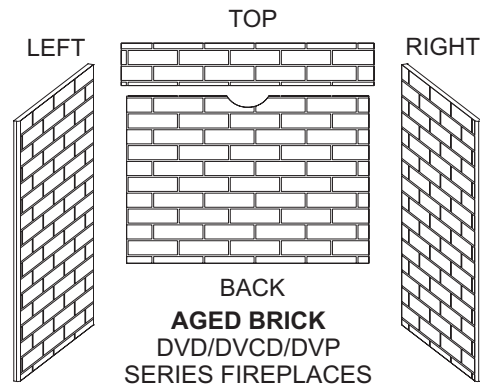
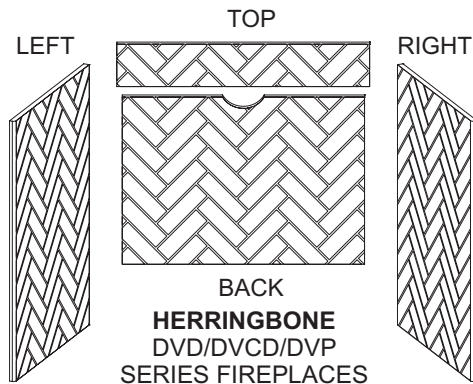
**NOTICE:** For some liner installations in the DVD48FP Fireplace, the Rear Liner panel has two small legs that are to be placed at the back left and right corners of the firebox. The two legs support the rear liner panel.

**NOTICE:** (A)DVX Series fireplaces do not include a top liner panel. For these models only, remove the upper flue baffle which is secured to the inside top of the firebox with two screws.

**NOTICE:** On (A)DVX Series fireplace, orient the back liner panel so the three small square relief holes on the back of the panel are at the bottom. To secure the back panel in position, re-install the upper flue baffle with two screws.

**ATTENTION:** Herringbone left panel has **L** stamped in upper, left corner. Herringbone right panel has **R** stamped in upper right corner.

- To install side brick panels, align grout lines on side brick panels with the grout lines on the back brick panel.
- NOTICE:** On DVX models, secure top of each side panel with one top retainer bracket and screw.
- Replace rear log(s) and twig(s) onto burner assembly. Refer to log placement in the installation instructions and owner's manual for proper placement.
- Replace the glass frame assembly onto the fireplace.
- Raise bottom louver and replace top louver onto fireplace.
- Installation of optional brick liner is complete.
- If there is any damage to any panel, the whole kit should be replaced in order to maintain proper color match.



**DVX SERIES FIREPLACES**  
(**NOTICE:** BRICK PATTERNS REMOVED)