

SHIBL SHROUD PANEL KIT INSTALLATION INSTRUCTIONS

SHIBL CONTEMPORARY SHROUD PANEL KIT FOR USE WITH DIRECT VENT FIREPLACES

INSTRUCTIONS MUST BE LEFT WITH THE OWNER FOR FUTURE REFERENCE AFTER INSTALLATION

ASSEMBLY OF SURROUND PANELS

1. Place all panels face down on a soft surface such as carpet as shown in **Figure 1**.
NOTE: If the DV Insert surround kit is 3 pieces, the bottom shroud panel will not be used.
2. Align the panel ends together, then install eight (8) #10 x 1/2" sheet metal screw at each of the corner flanges as shown.
3. Check that face surfaces of the panels are flush and sides line up, then tighten the screws.
NOTE: For dimensional information, **See Figure 3**.

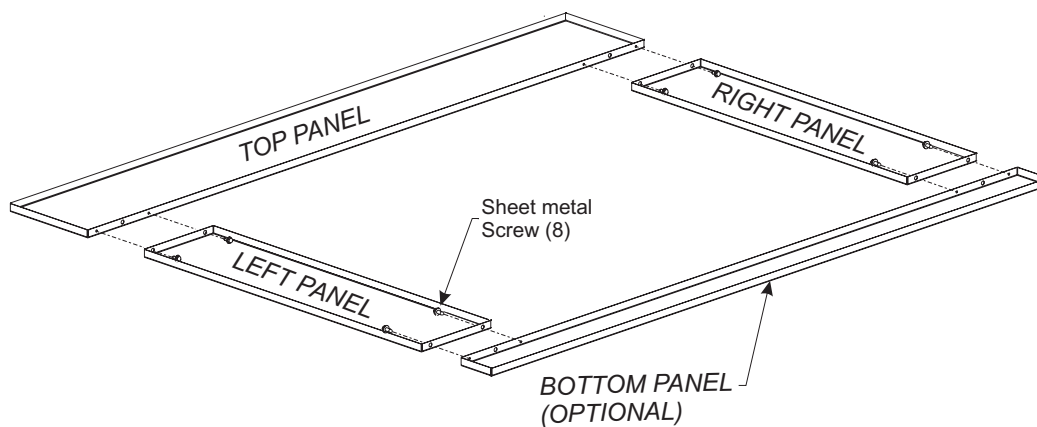


Figure 1

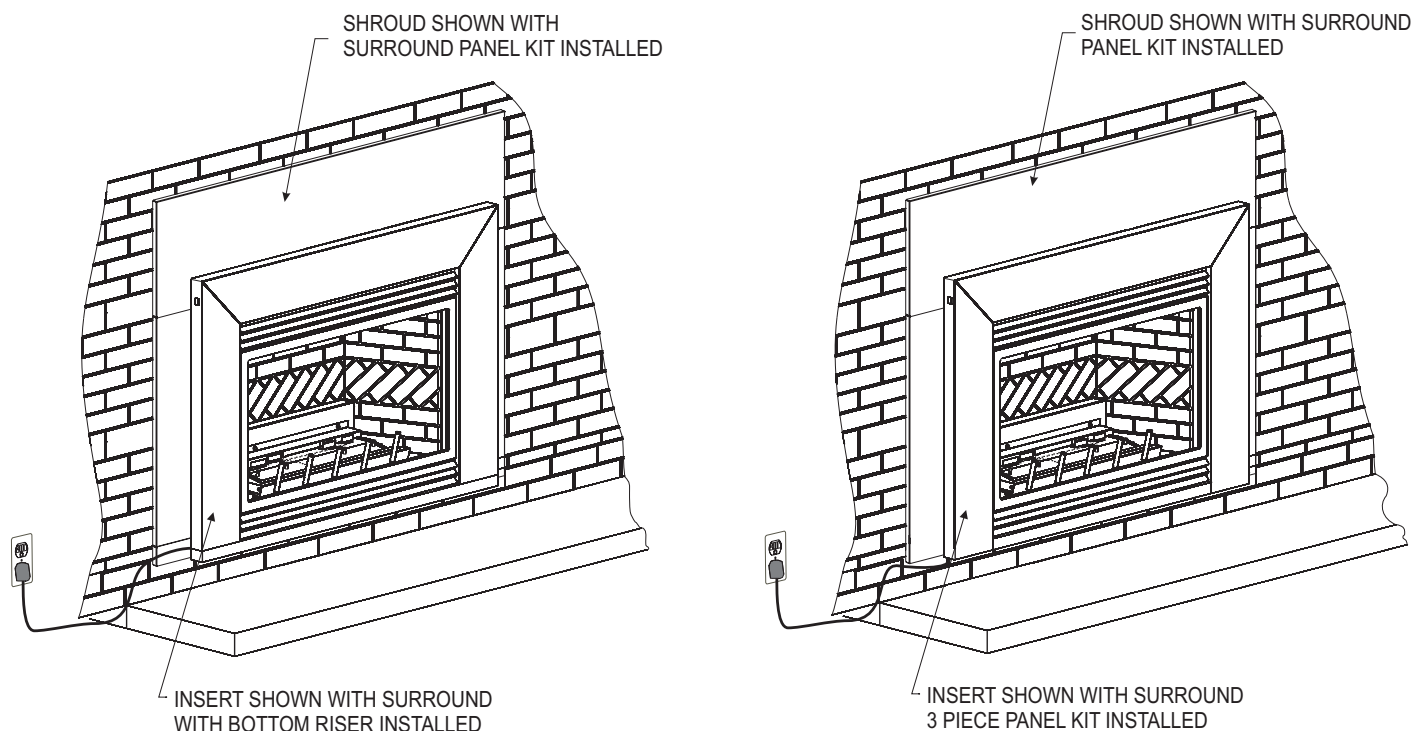


Figure 2

SHIBL CONTEMPORARY SHROUD PANEL KIT DIMENSIONS

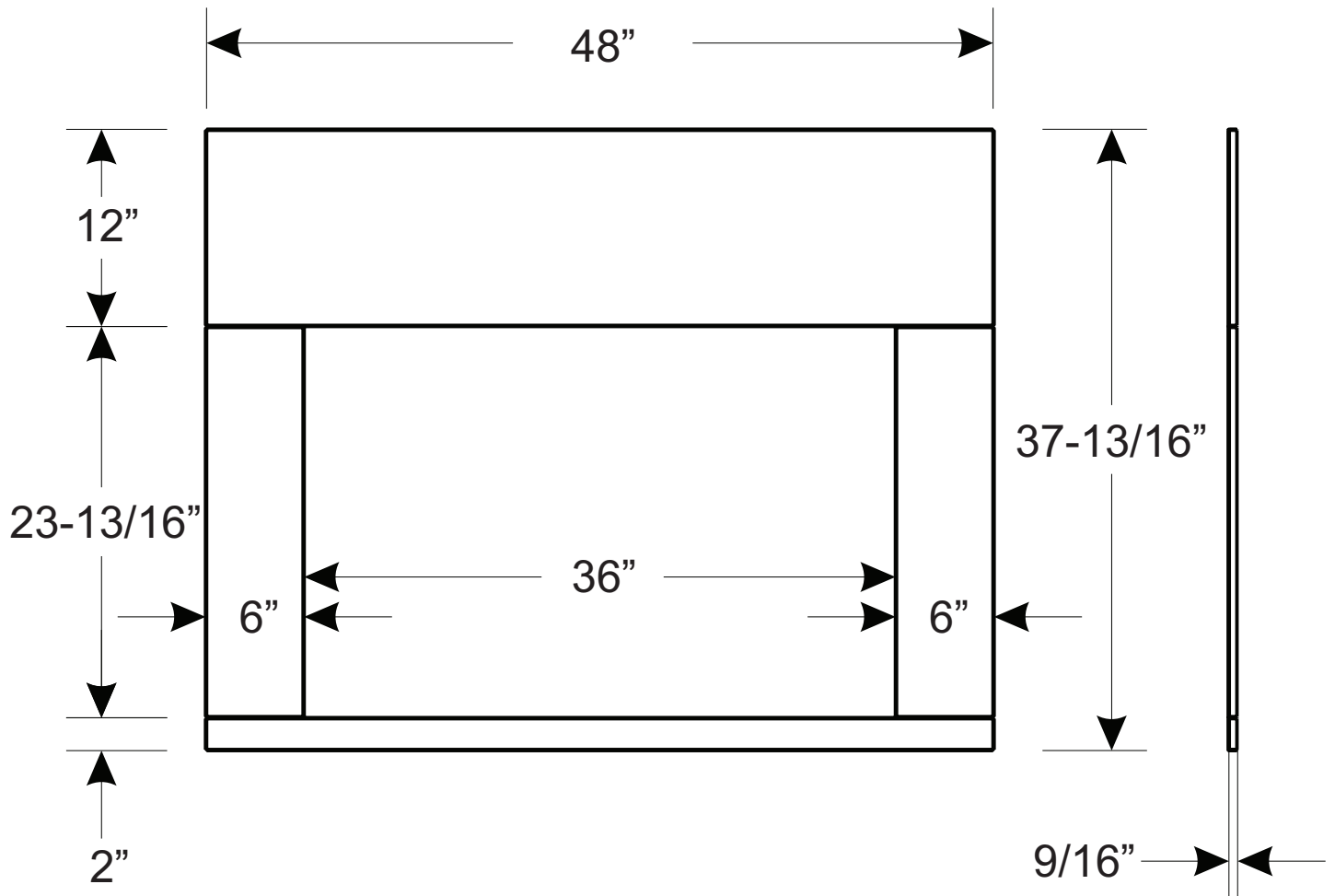


Figure 3