



# INSTALLATION INSTRUCTIONS HORIZONTAL TERMINATION KITS

## DIRECT VENT HORIZONTAL TERMINATION KITS: DVVK4F-1, DVVK5F-1

The following termination kits can only be used with direct vent fireplaces listed for use with DVVK-4F or DVVK-5F. Please check and verify your fireplace model number.

KIT CONTENTS			
DVVK4F 4”/7” - 48” FLEX TERMINATION KIT		DVVK5F 5”/8” - 48” FLEX TERMINATION KIT	
Item Description	Qty	Item Description	Qty
Termination Cap	1	Termination Cap	1
Wall Firestop/Thimble Assembly	1	Wall Firestop/Thimble Assembly	1
2 Ply Alum Flex 4” Dia by 48” (with attached starter collar)	1	2 Ply Alum Flex 5” Dia by 48” (with attached starter collar)	1
2 Ply Alum Flex 7” Dia by 48”	1	2 Ply Alum Flex 8” Dia by 48”	1
Flex Adapter Collar w/Gasket	1	Clamp 5” Dia	2
Clamp 4” Dia	2	Clamp 8” Dia	2
Clamp 7” Dia	2	Spring	3
Spring	3	Screws 1/8 x 3”	4
Screws 1/8 x 3”	4	Self Tapping Screws #6 x 1/2”	16
Self Tapping Screws #6 x 1/2”	16	Screws #6 x 1/2” ph SS	2
Screws #6 x 1/2” ph SS	2	Deflector Shield	1
Deflector Shield	1		

**Tools Needed:**

- Phillips Screwdriver
- Hammer
- Saw and/or saber saw
- Measuring Tape
- Electric Drill and Bits
- Pliers
- Square

**Building Supplies Needed:**

- Framing Materials
- Wall Finishing Materials
- Caulking Material (Noncombustible)
- Silicone Sealant

**⚠ CAUTION**

All Fireplaces listed for use with the DVVK-4F or the DVVK-5F will operate safely when installed in accordance with this instruction manual. Read all instruction before starting installation, then follow these instructions carefully to maximize fireplace performance and safety. Report damaged parts to your dealer.

**⚠ WARNING**

Any common venting of the gas appliance using the DV vent kit with other gas appliances is not allowed. Do not connect this appliance to a chimney flue servicing a separate solid fuel-burning appliance.

**⚠ WARNING**

Always maintain minimum clearances around vent systems. The minimum clearance to combustibles for horizontal vent pipe is 3 inches at the top and 1 inch at the sides and bottom of the vent system until the flue penetrates the nearest vertical wall. FOR WALL FIRESTOPS AND VERTICAL RUNS ONLY, maintain a 1 inch minimum clearance from all sides of the vent. Do not pack the open air spaces around the fireplace or flue with insulation or other materials. Any horizontal run must have a 1/4” rise for every one (1) foot of run towards the vent termination. Never install the vent level or downward.

**⚠ WARNING**

Failure to follow these instructions may create a possible fire hazard and will void the warranty.

**⚠ WARNING**

Contact your Local Building and Fire Officials about restrictions and installation inspections in your area.

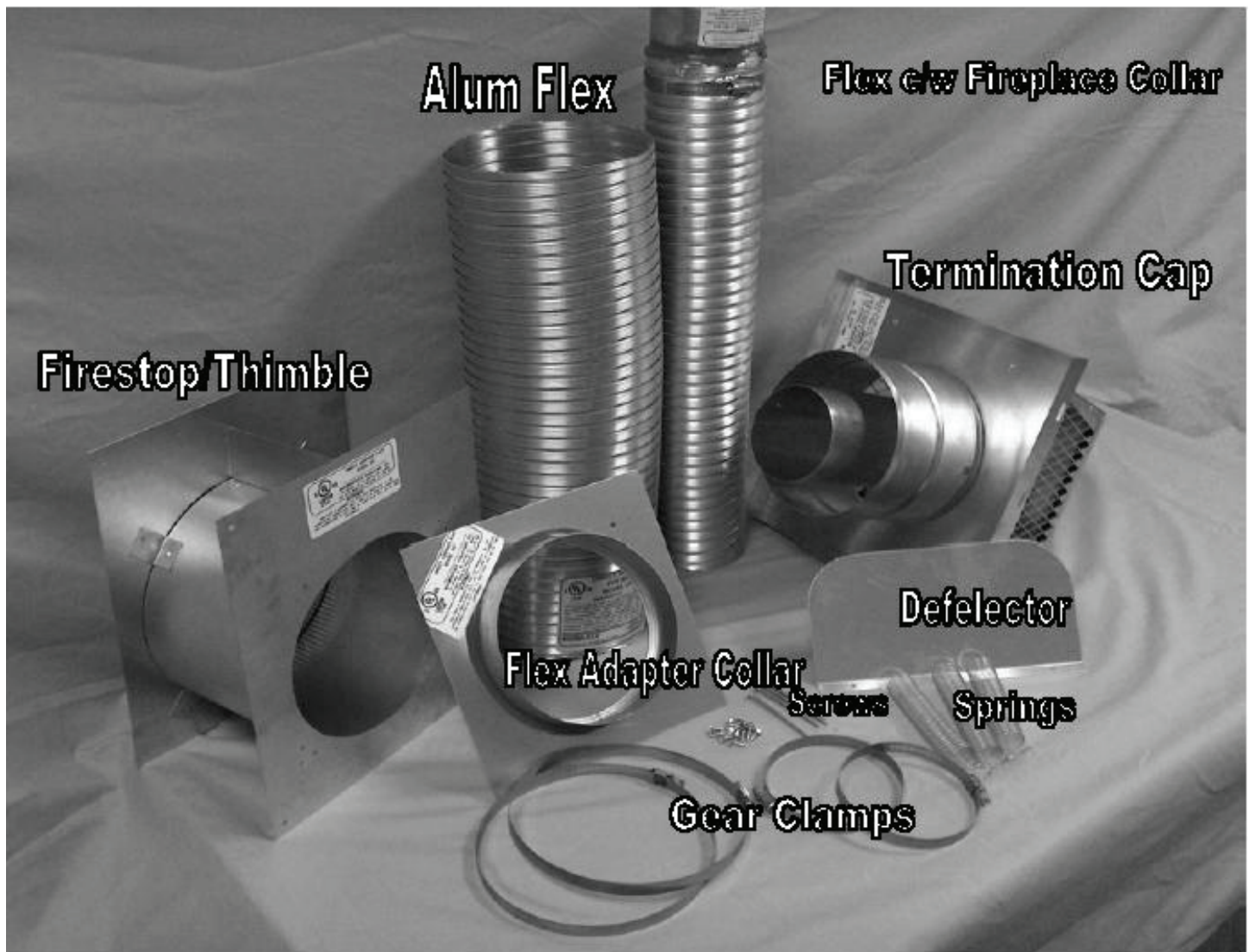
### IMPORTANT SAFETY INFORMATION:

- The termination cap MUST be vented directly to the outside. The termination kit MUST NEVER be connected to a chimney flue(s) servicing a separate solid-fuel burning appliance or any other appliances.
- Termination cap MUST NOT be recessed into a wall or siding. The flexible vent pipe cannot be intermingled with any of the rigid vent pipe section. DO NOT connect two sections of flexible vent pipe together to achieve a longer length without approved connectors.
- The installation must conform with local codes or in the absence of local codes, with the National Fuel Gas Code, ANSI Z223.1 (in the United States) or with the current installation code CAN/CGA - B149 (in Canada).
- Only Direct Vent fireplaces approved for use with DVVK-4F and DVVK-5F termination kits shall be used. No other venting systems or components may be used. See PARTS LIST ILLUSTRATIONS section for a list of approved vent components.
- Horizontal runs must be supported every 3 feet using wall straps. Vertical runs must be supported every 8 feet using wall straps. Slip wall straps loosely on to pipe. Attach straps to framing members using nails or screws. Tighten nut/bolt to secure pipe.
- When installing the termination cap, mount it so the water drain holes in the base and vent pipes are to the bottom.
- The fireplace and venting system should be inspected before initial use and at least annually by a qualified field service person. Inspect the external vent cap on a regular basis to make sure that no debris is interfering with the airflow. Inspect entire venting system to ensure proper function.
- Please refer to the fireplace instructions for information on Termination Cap clearances and placement on the exterior of the building.

### BEFORE YOU START:

Plan your installation. Set unit in place and survey how best to vent the unit. Select the appropriate termination kit and vent pipe for the installation. Read these instructions and the fireplace installation manual before installing unit and vent system.

After vent configuration has been decided, stretch the flex pipe components out, then trim off what will not be needed. A temporary fit up will determine this. Once the vent length has been determined and cut off, attach the flue vent and the inlet vent flex to the termination cap first. Next, feed the pipe (with terminal) through from the outside and attach connections at the fireplace.



## STEP-BY-STEP INSTALLATION FOR DV HORIZONTAL FLEX VENT KIT

1. Unpack vent components and check all items for shipping damage.
2. For this venting system to operate as designed, it is dependent on the use of all parts and procedures detailed in these instructions. Failure to follow these instructions may potentially affect the performance of this vent system and the attached appliance.
3. As per the fireplace instructions, replace the existing fireplace vent adapter with the 7" diameter flex vent fireplace adapter included in the vent kit (DVVK-4F only). Install the adapter collar with the screws removed from the fireplace.  
**NOTE:** If installing the DVVK5F kit, use the existing 8" diameter vent adapter collar supplied with the fireplace to connect the 8" diameter flex vent.
- 4a. Install the Wall Firestop/Thimble to the framed wall assembly using common nails (not supplied) as required through the wall. Refer to the venting charts in the fireplace manual to determine the proper height and size of the vent opening. (For minimum framed opening see fireplace manual).

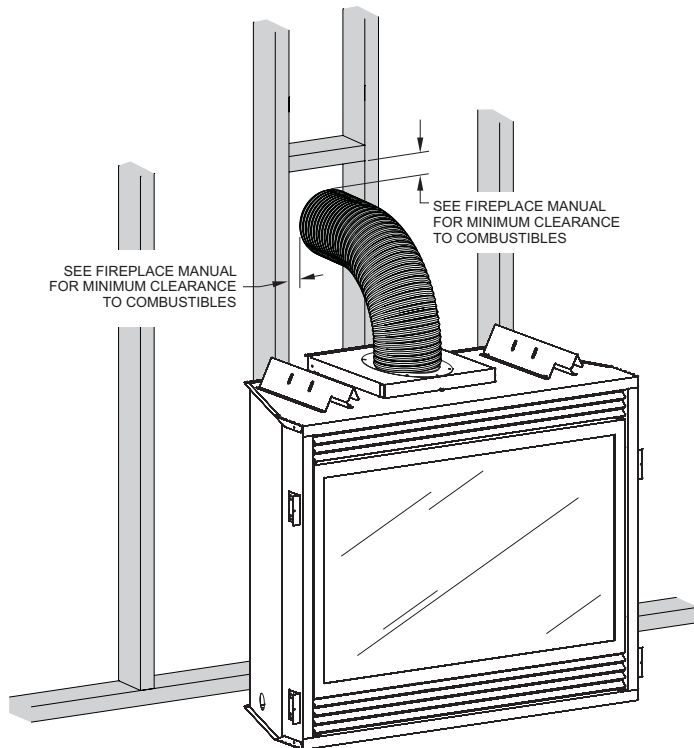


Figure 1

- 4b. Install the Wall Firestop/Thimble with the top clearance tab to the inside of the framed wall opening. Install the mating telescope thimble to the inside thimble, and secure the thimble wall plate to the exterior of the framed wall opening.
5. Determine the length of the vent that is needed, allow slightly more vent than required. Stretch the inner and outer flex vent out to 48 inches, then, trim off the extra length of vent not needed.  
**NOTE:** If the venting is too long, trim off the excess venting as needed, however, make sure you leave enough extra to make the connections at the termination cap.

6. Locate the inner flex vent which has a pre-assembled flue collar connector and attach the spacer springs. The springs should be spaced evenly apart starting at 12 inches from the fireplace flue collar. **See Figure 2.**

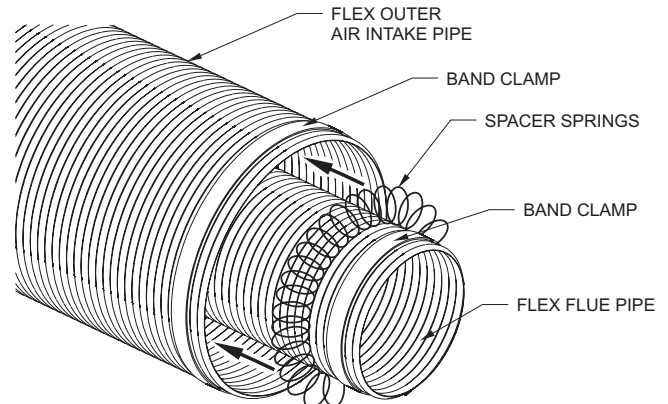


Figure 2

7. Attach the flex flue (non-connector end) to the Termination Cap. Use silicone sealant on connection, and secure with the 4" or 5" dia band clamp.
8. Slip the outer flex vent over the inner flex flue (with spacer springs), then secure the Inlet Flex vent to the Termination Cap. Use silicone sealant on connection, and secure with a 7" or 8" dia band clamp.
9. Feed the Flex pipe (with cap attached) through the wall thimble assembly from the outside.
10. Secure the termination cap to the house exterior using four 1/8 x 3" long screws. Be sure to install the Deflector Shield with the two screws at the top of the termination base. **See Figure 3.**

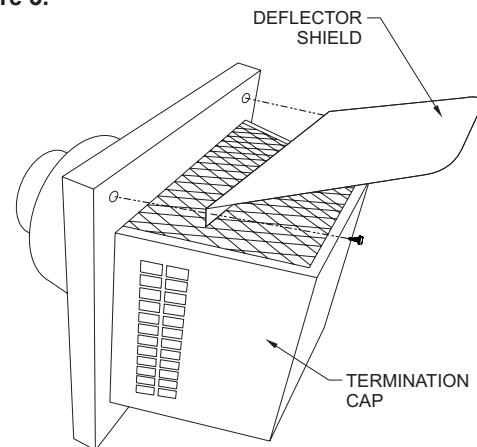


Figure 3

11. Add sealant to the flue adapter collar, then insert the adapter collar to the flue collar on the fireplace. Secure the flue vent collar using four #6 x 1/2" self tapping screws provided.
12. Feed the outer flex vent over the inner flex flue vent and secure to the 7" or 8" dia. fireplace collar. Tighten the band clamp, then secure the clamp to the fireplace with (4) evenly spaced #6 x 1/2 self tapping screws provided.
13. With the fireplace secured, check to make sure that the required rise (1/4" per ft.) of the vent is maintained from the fireplace and upward through the thimble assembly and termination cap.



**Empire Comfort Systems Inc.  
Belleville, IL**

If you have a general question  
about our products, please e-mail  
us at [info@empirecomfort.com](mailto:info@empirecomfort.com).

If you have a service or repair  
question, please contact your dealer.

SINCE 1932

**[www.empirecomfort.com](http://www.empirecomfort.com)**