

INSTALLATION INSTRUCTIONS VBP SERIES LINER KITS

FOR USE ON VFS AND VFP FIREBOXES

INSTRUCTIONS MUST BE LEFT WITH OWNER FOR REFERENCE AFTER INSTALLATION.

1. Open firescreens on firebox.
2. Remove logs from burner assembly. **NOTE:** Burner assembly may require removal to install liner panels. Contact dealer or installer for assistance.
3. Insert rear liner into firebox and locate screw holes for upper liner brackets. Larger models may have a two-piece rear liner. The smaller piece installs on the bottom with the large piece installed on top.
- 4a. If you have purchased an Aged, Banded, Traditional or Herringbone style liner kit, bend the upper liner bracket as shown in **Figure 1**.

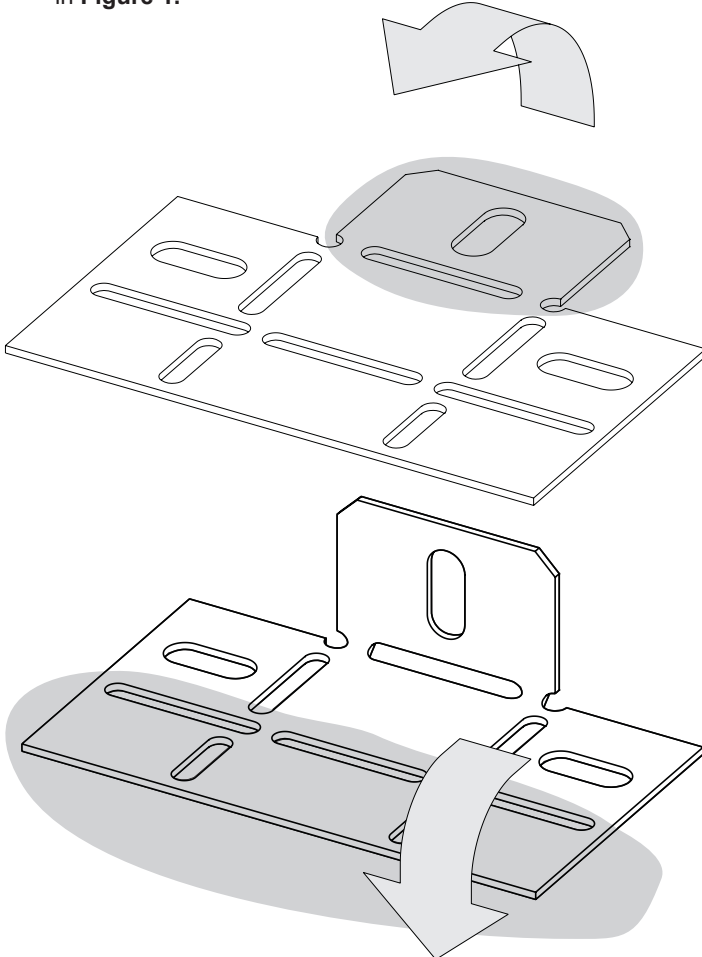


Figure 1 - Style A

- 4b. If you have purchased a Stacked Limestone or Stacked Field-stone style liner kit, bend the upper liner bracket as shown in **Figure 2**.

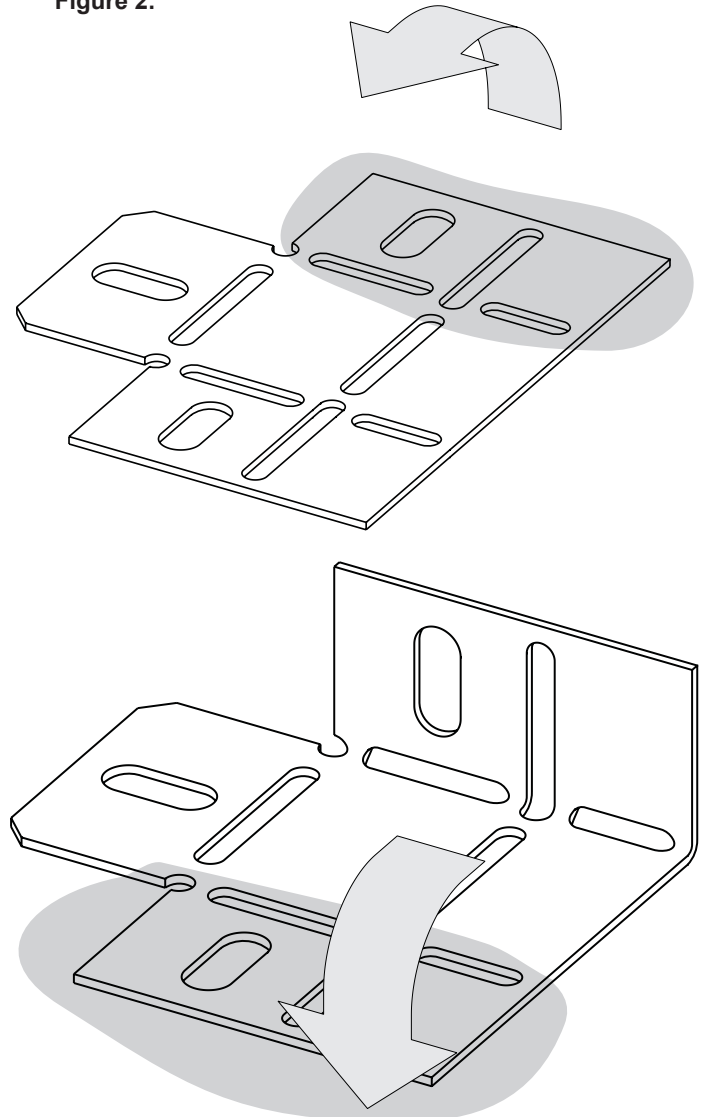


Figure 2 - Style B

5. Repeat step 4 for each upper liner bracket (four total).
6. Secure rear liner with two retainer brackets at the top with two screws. **See Figures 3 and 5.**

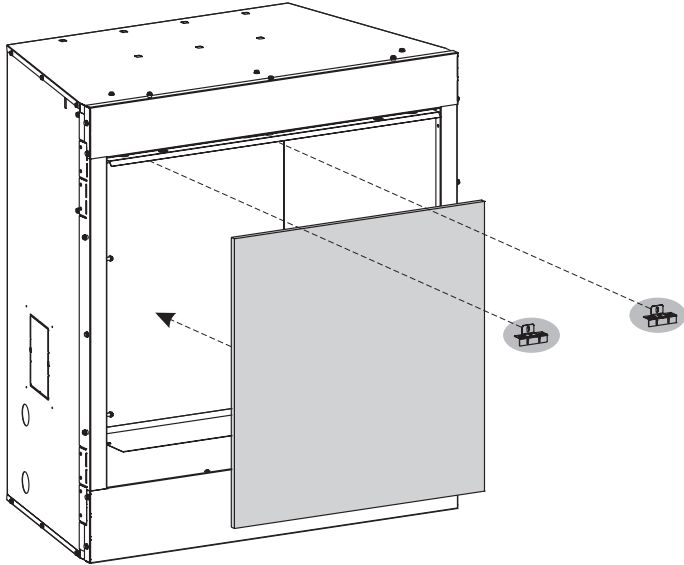


Figure 3

7. Insert side panels into firebox. Gas line knockouts to be at the bottom rear corner. **See Figures 4 and 5.**

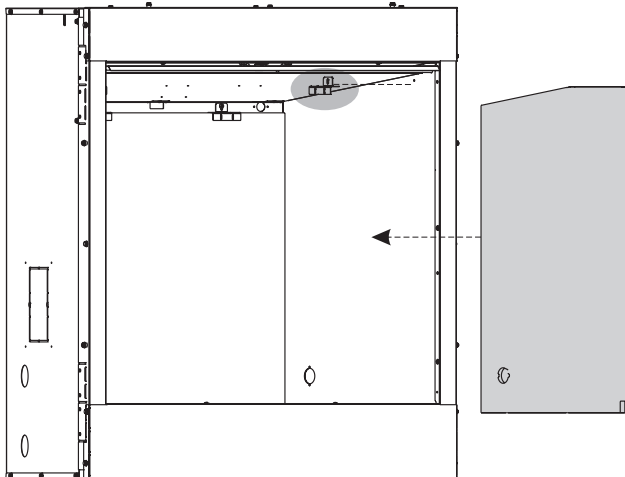
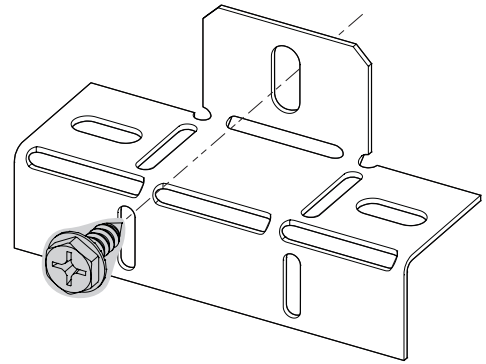
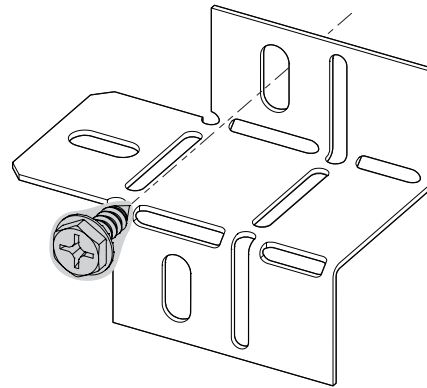


Figure 4

8. Secure the upper liner brackets to the firebox with the provided screws (one per bracket) as shown in **Figure 5.**



STYLE A



STYLE B

Figure 5

9. Gently bend the lower tab of each upper liner bracket until it touches the liner. **See Figure 6.**

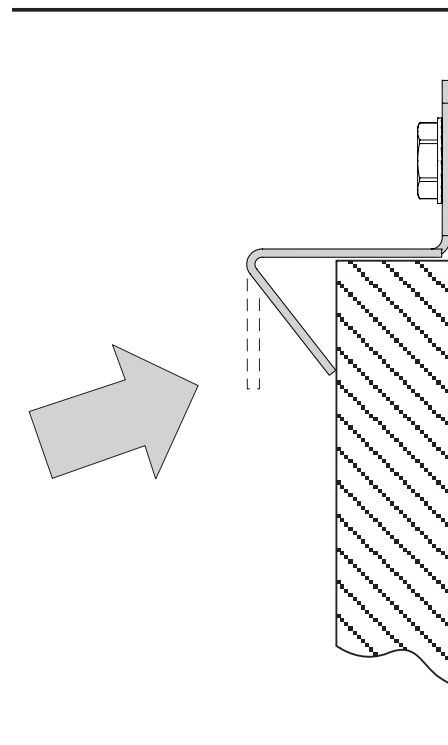


Figure 6

10. For all style liners, form the bottom liner brackets as shown in **Figure 7**.

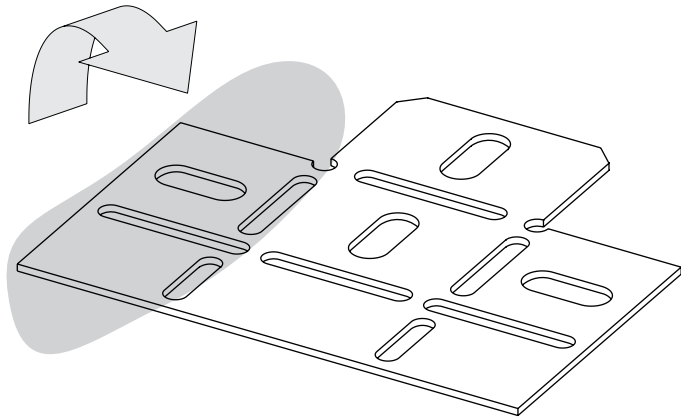


Figure 7

11. Secure the lower liner retainer brackets to the bottom of the firebox with the provided screws (one per bracket). **See Figures 8 and 9**.

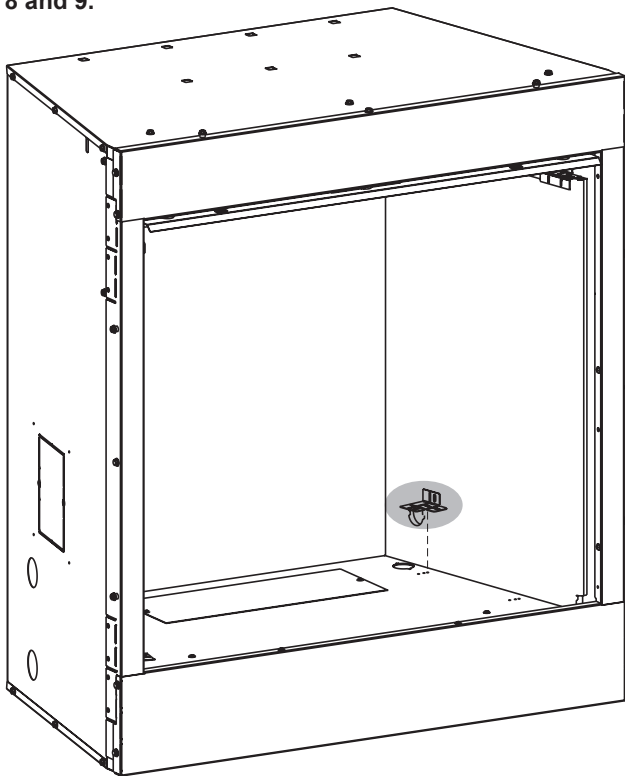


Figure 8

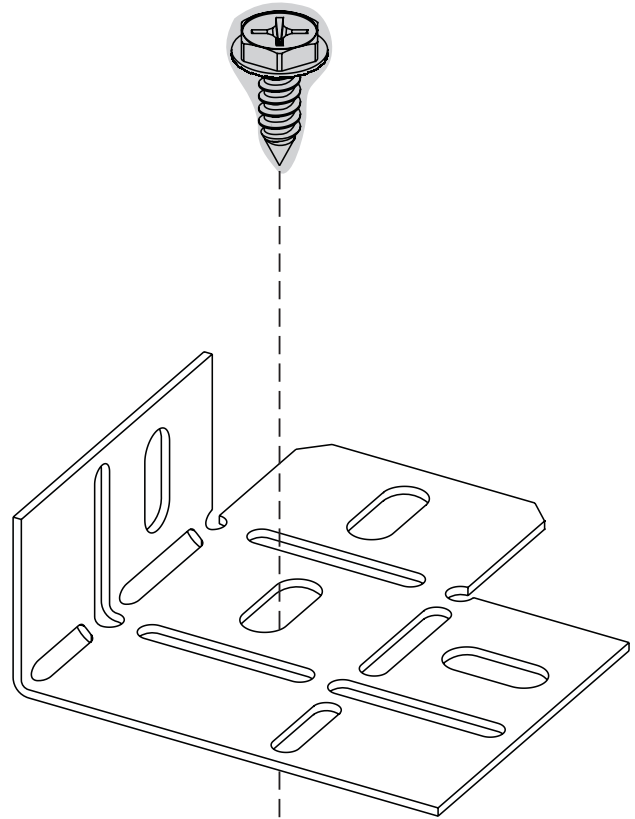
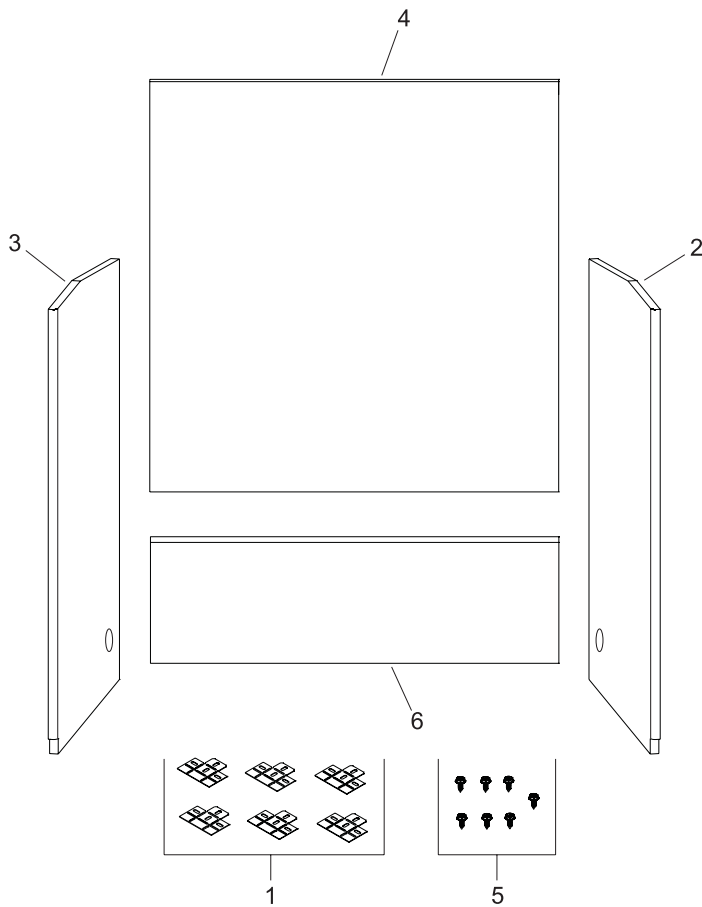


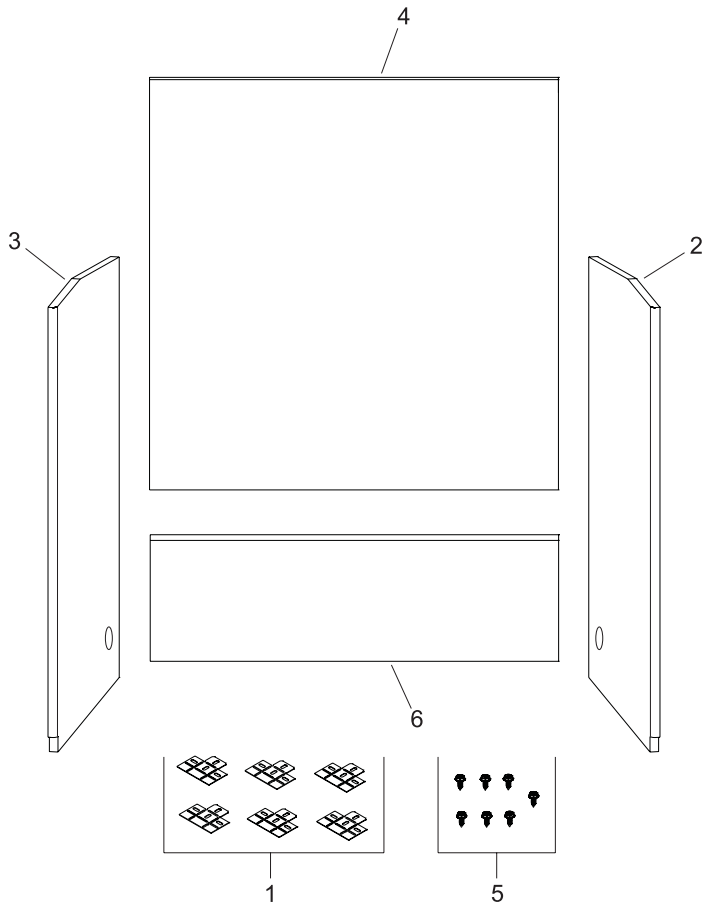
Figure 9

12. Install logs onto burner assembly as required.
13. Close screens on firebox.
14. Installation of optional liner kit is completed.



BANDED BRICK LINERS			
Index No.	Part No.	Description	Quantity Supplied
VBP32D2E			
1	29270	LINER BRACKET	6
2	33179	BRICK PANEL - SIDE RIGHT	1
3	33178	BRICK PANEL - SIDE LEFT	1
4	33180	BRICK PANEL - BACK	1
5	R2737	SCREW NO. 10 X 1/2	7
VBP36D2E			
1	29270	LINER BRACKET	6
2	33199	BRICK PANEL - SIDE RIGHT	1
3	33198	BRICK PANEL - SIDE LEFT	1
4	33200	BRICK PANEL - BACK	1
5	R2737	SCREW NO. 10 X 1/2	7
VBP42D2E			
1	29270	LINER BRACKET	6
2	33219	BRICK PANEL - SIDE RIGHT	1
3	33218	BRICK PANEL - SIDE LEFT	1
4	33220	BRICK PANEL - BACK	1
5	R2737	SCREW NO. 10 X 1/2	7
VBP32T2E			
1	29270	LINER BRACKET	6
2	33187	BRICK PANEL - SIDE RIGHT	1
3	33186	BRICK PANEL - SIDE LEFT	1
4	33188	BRICK PANEL - BACK	1
5	R2737	SCREW NO. 10 X 1/2	7
VBP36T2E			
1	29270	LINER BRACKET	6
2	33207	BRICK PANEL - SIDE RIGHT	1
3	33206	BRICK PANEL - SIDE LEFT	1
4	33208	BRICK PANEL - BACK	1
5	R2737	SCREW NO. 10 X 1/2	7
VBP42T2E			
1	29270	LINER BRACKET	6
2	33227	BRICK PANEL - SIDE RIGHT	1
3	33226	BRICK PANEL - SIDE LEFT	1
4	33228	BRICK PANEL - BACK	1
5	R2737	SCREW NO. 10 X 1/2	7

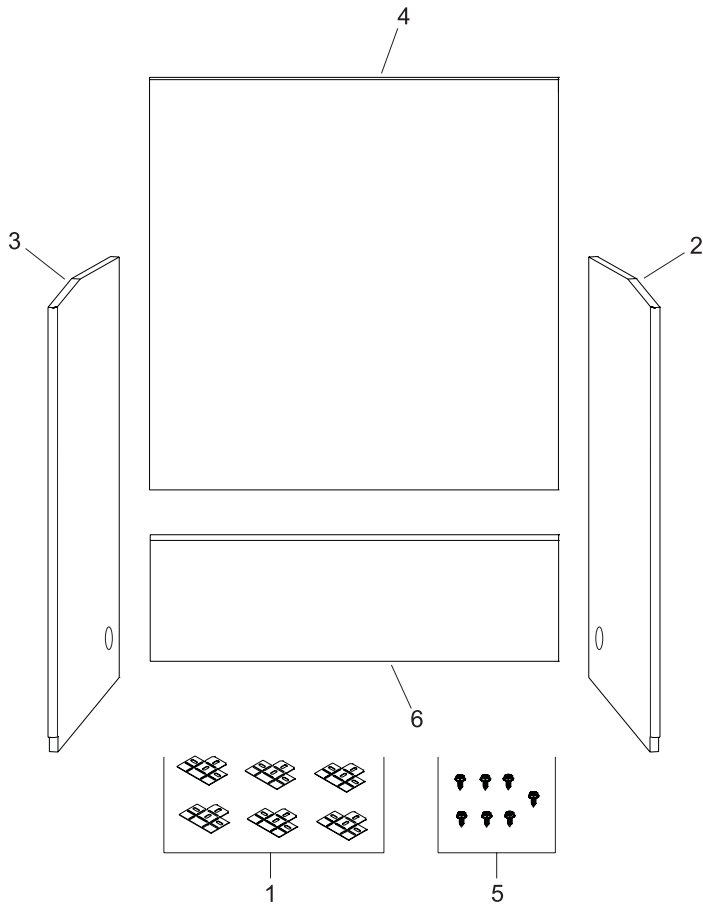
AGED BRICK LINERS			
Index No.	Part No.	Description	Quantity Supplied
VBP32D2A			
1	29270	LINER BRACKET	6
2	33175	BRICK PANEL - SIDE RIGHT	1
3	33174	BRICK PANEL - SIDE LEFT	1
4	33176	BRICK PANEL - BACK	1
5	R2737	SCREW NO. 10 X 1/2	7
VBP36D2A			
1	29270	LINER BRACKET	6
2	33195	BRICK PANEL - SIDE RIGHT	1
3	33194	BRICK PANEL - SIDE LEFT	1
4	33196	BRICK PANEL - BACK	1
5	R2737	SCREW NO. 10 X 1/2	7
6	42549	BRICK PANEL - LOWER BACK	1
VBP42D2A			
1	29270	LINER BRACKET	6
2	33215	BRICK PANEL - SIDE RIGHT	1
3	33214	BRICK PANEL - SIDE LEFT	1
4	33216	BRICK PANEL - BACK	1
5	R2737	SCREW NO. 10 X 1/2	7
6	42550	BRICK PANEL - LOWER BACK	1



NOTE: Larger models may have a two-piece rear liner. The smaller piece installs on the bottom with the large piece installed on top.

TRADITIONAL BRICK LINERS			
Index No.	Part No.	Description	Quantity Supplied
VBP32D2F			
1	29270	LINER BRACKET	6
2	33183	BRICK PANEL - SIDE RIGHT	1
3	33182	BRICK PANEL - SIDE LEFT	1
4	33184	BRICK PANEL - BACK	1
5	R2737	SCREW NO. 10 X 1/2	7
VBP36D2F			
1	29270	LINER BRACKET	6
2	33203	BRICK PANEL - SIDE RIGHT	1
3	33202	BRICK PANEL - SIDE LEFT	1
4	33204	BRICK PANEL - BACK	1
5	R2737	SCREW NO. 10 X 1/2	7
VBP42D2F			
1	29270	LINER BRACKET	6
2	33223	BRICK PANEL - SIDE RIGHT	1
3	33222	BRICK PANEL - SIDE LEFT	1
4	33224	BRICK PANEL - BACK	1
5	R2737	SCREW NO. 10 X 1/2	7

STACKED LIMESTONE BRICK LINERS			
Index No.	Part No.	Description	Quantity Supplied
VBP32D2G			
1	29270	LINER BRACKET	6
2	33097	BRICK PANEL - SIDE RIGHT	1
3	33096	BRICK PANEL - SIDE LEFT	1
4	33098	BRICK PANEL - BACK	1
5	R2737	SCREW NO. 10 X 1/2	7
VBP36D2G			
1	29270	LINER BRACKET	6
2	33105	BRICK PANEL - SIDE RIGHT	1
3	33104	BRICK PANEL - SIDE LEFT	1
4	33106	BRICK PANEL - BACK	1
5	R2737	SCREW NO. 10 X 1/2	7
VBP42D2G			
1	29270	LINER BRACKET	6
2	33121	BRICK PANEL - SIDE RIGHT	1
3	33120	BRICK PANEL - SIDE LEFT	1
4	33122	BRICK PANEL - BACK	1
5	R2737	SCREW NO. 10 X 1/2	7
VBP32T2G			
1	29270	LINER BRACKET	6
2	33089	BRICK PANEL - SIDE RIGHT	1
3	33088	BRICK PANEL - SIDE LEFT	1
4	33090	BRICK PANEL - BACK	1
5	R2737	SCREW NO. 10 X 1/2	7
6	33233	BRICK PANEL - LOWER BACK	1
VBP36T2G			
1	29270	LINER BRACKET	6
2	33117	BRICK PANEL - SIDE RIGHT	1
3	33116	BRICK PANEL - SIDE LEFT	1
4	33118	BRICK PANEL - BACK	1
5	R2737	SCREW NO. 10 X 1/2	7
6	33235	BRICK PANEL - LOWER BACK	1
VBP42T2G			
1	29270	LINER BRACKET	6
2	33125	BRICK PANEL - SIDE RIGHT	1
3	33124	BRICK PANEL - SIDE LEFT	1
4	33126	BRICK PANEL - BACK	1
5	R2737	SCREW NO. 10 X 1/2	7
6	33237	BRICK PANEL - LOWER BACK	1



NOTE: Larger models may have a two-piece rear liner. The smaller piece installs on the bottom with the large piece installed on top.

STACKED FIELDSTONE BRICK LINERS			
Index No.	Part No.	Description	Quantity Supplied
VBP32D2K			
1	29270	LINER BRACKET	6
2	33093	BRICK PANEL - SIDE RIGHT	1
3	33092	BRICK PANEL - SIDE LEFT	1
4	33094	BRICK PANEL - BACK	1
5	R2737	SCREW NO. 10 X 1/2	7
VBP36D2K			
1	29270	LINER BRACKET	6
2	33109	BRICK PANEL - SIDE RIGHT	1
3	33108	BRICK PANEL - SIDE LEFT	1
4	33110	BRICK PANEL - BACK	1
5	R2737	SCREW NO. 10 X 1/2	7
VBP42D2K			
1	29270	LINER BRACKET	6
2	33129	BRICK PANEL - SIDE RIGHT	1
3	33128	BRICK PANEL - SIDE LEFT	1
4	33130	BRICK PANEL - BACK	1
5	R2737	SCREW NO. 10 X 1/2	7

STACKED FIELDSTONE BRICK LINERS			
VBP32T2K			
1	29270	LINER BRACKET	6
2	33101	BRICK PANEL - SIDE RIGHT	1
3	33100	BRICK PANEL - SIDE LEFT	1
4	33102	BRICK PANEL - BACK	1
5	R2737	SCREW NO. 10 X 1/2	7
6	33234	BRICK PANEL - LOWER BACK	1
VBP36T2K			
1	29270	LINER BRACKET	6
2	33113	BRICK PANEL - SIDE RIGHT	1
3	33112	BRICK PANEL - SIDE LEFT	1
4	33114	BRICK PANEL - BACK	1
5	R2737	SCREW NO. 10 X 1/2	7
6	33236	BRICK PANEL - LOWER BACK	1
VBP42T2K			
1	29270	LINER BRACKET	6
2	33133	BRICK PANEL - SIDE RIGHT	1
3	33132	BRICK PANEL - SIDE LEFT	1
4	33134	BRICK PANEL - BACK	1
5	R2737	SCREW NO. 10 X 1/2	7
6	33238	BRICK PANEL - LOWER BACK	1

HERRINGBONE BRICK LINERS			
Index No.	Part No.	Description	Quantity Supplied
VBP32T2H			
1	29270	LINER BRACKET	6
2	33191	BRICK PANEL - SIDE RIGHT	1
3	33190	BRICK PANEL - SIDE LEFT	1
4	33192	BRICK PANEL - BACK	1
5	R2737	SCREW NO. 10 X 1/2	7
VBP36T2H			
1	29270	LINER BRACKET	6
2	33211	BRICK PANEL - SIDE RIGHT	1
3	33210	BRICK PANEL - SIDE LEFT	1
4	33212	BRICK PANEL - BACK	1
5	R2737	SCREW NO. 10 X 1/2	7
VBP42T2H			
1	29270	LINER BRACKET	6
2	33231	BRICK PANEL - SIDE RIGHT	1
3	33230	BRICK PANEL - SIDE LEFT	1
4	33232	BRICK PANEL - BACK	1
5	R2737	SCREW NO. 10 X 1/2	7

MASTER PARTS DISTRIBUTOR LIST

To Order Parts Under Warranty, please contact your local Empire dealer. See the dealer locator at www.empirecomfort.com. To provide warranty service, your dealer will need your name and address, purchase date and serial number, and the nature of the problem with the unit.

To Order Parts After the Warranty Period, please contact your dealer or one of the Master Parts Distributors listed below. This list changes from time to time. For the current list, please click on the Master Parts button at www.empirecomfort.com. Please note: Master Parts Distributors are independent businesses that stock the most commonly ordered Original Equipment repair parts for Heaters, Grills, and Fireplaces manufactured by Empire Comfort Systems Inc.

Dey Distributing

1401 Willow Lake Boulevard
Vadnais Heights, MN 55101

Phone: 651-490-9191

Toll Free: 800-397-1339

Website: www.deydistributing.com

Parts: Heater, Hearth and Grills

F. W. Webb Company

200 Locust Street
Hartford, CT 06114

Phone: 860-722-2433

Toll Free: 800-243-9360

Fax: 860-293-0479

Toll Free Fax: 800-274-2004

Websites: www.fwwebb.com & www.victormfg.com

Parts: Heater, Hearth and Grills

East Coast Energy Products

10 East Route 36
West Long Branch, NJ 07764

Phone: 732-870-8809

Toll Free: 800-755-8809

Fax: 732-870-8811

Website: www.eastcoastenergy.com

Parts: Heater, Hearth and Grills

HOW TO ORDER REPAIR PARTS

Parts Not Under Warranty

Parts can be ordered through your Service Person, Dealer, or a Master Parts Distributor. See this page for the Master Parts Distributors list. For best results, the **service person or dealer** should order parts through the distributor. Parts can be shipped directly to the **service person/dealer**.

Warranty Parts

Warranty parts will need a proof of purchase and can be ordered by your Service Person or Dealer. Proof of purchase is **required** for warranty parts.

All parts listed in the Parts List have a Part Number. When ordering parts, first obtain the Model Number and Serial Number from the name plate on your equipment. Then determine the Part Number (**not** the Index Number) and the Description of each part from the following illustration and part list. Be sure to give all this information . . .

Appliance Model Number _____

Part Description _____

Appliance Serial Number _____

Part Number _____

Type of Gas (Propane or Natural) _____

Do not order bolts, screws, washers or nuts. They are standard hardware items and can be purchased at any local hardware store.

Shipments contingent upon strikes, fires and all causes beyond our control.



**Empire Comfort Systems Inc.
Belleville, IL**

If you have a general question
about our products, please e-mail
us at info@empirecomfort.com.

If you have a service or repair
question, please contact your dealer.

SINCE 1932

www.empirecomfort.com