



VKMV(N,P)-1 MILLIVOLT VALVE KIT INSTALLATION INSTRUCTIONS

FOR USE ON: VENTED BURNER MODELS

BXL(18,24,30,36)-1

B3L(18,24,30)-1

AVL(21,24,30)-1

⚠ WARNING

This conversion kit is to be installed by an Empire Comfort Systems, Inc., distributor (or other qualified agency¹)*in accordance with the manufacturer's instructions and all codes and requirements of the authority having jurisdiction. Failure to follow instructions could result in serious injury or property damage. The qualified agency performing this work assumes responsibility for this conversion.

¹National Fuel Gas Code Z223.1 (Latest Edition)

*The term "qualified individual, firm, corporation or company which either in person or through a representative is engaged in and is responsible for (a) the installation of gas piping or (b) the connection, installation repair, or servicing of equipment, who is experienced in such work, familiar with all precautions required, and has complied with all the requirements of the authority having jurisdiction.

CHECK SAFETY SHUTDOWN PERFORMANCE

⚠ WARNING

Perform the safety shutdown test anytime work is done on a gas system to avoid the possibility of fire or explosion with property damage, personal injury or loss of life.

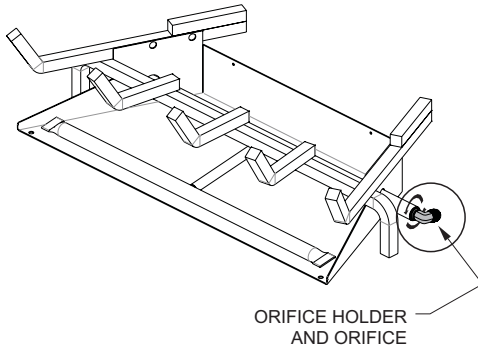
PARTS LIST

PART DESCRIPTION	CONVERSION KIT - VKMVN-1	CONVERSION KIT - VKMVP-1	QUANTITY SUPPLIED
Lighting Instruction Plate	R12135	R12135	1
Flare Fitting - 1/2 x 1/2	R12218	R12218	1
Screw	R2737	R2737	1
Valve Assembly	35999	36000	1
Valve Shield	35473	35473	1
Flex Line	12219	R12219	1
3/8" Air Shutter Adaptor	N/A	R12060	1
Vermiculite	N/A	R12070	3
Orifice - 60,000 (#42)	N/A	R12065	1
Orifice - 75,000 (#40)	N/A	R12066	1

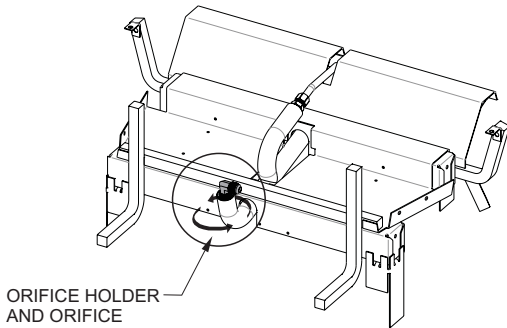
Tools Needed: Phillips Screwdriver, Adjustable Wrench, 5/16" Driver

1. Remove logs and glass or sand from burner. Set aside for future use.
2. If burner is installed, turn off gas.
3. Disconnect gas line from burner.
4. Remove the burner from the firebox, and turn over.
5. **Converting to Propane:** Remove elbow and orifice. See **Figure 1**. Discard the orifice. Keep the elbow for future use.
Converting to Natural: Go to Step 3.
Converting to Propane: Continue on with next steps.

DOUBLE BURNER



TRIPLE BURNER



SEE-THRU BURNER

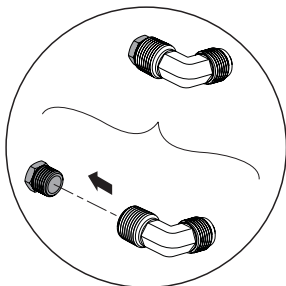
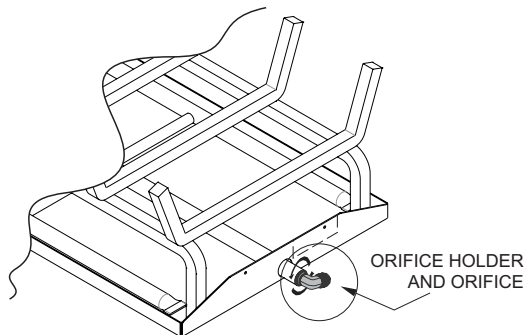
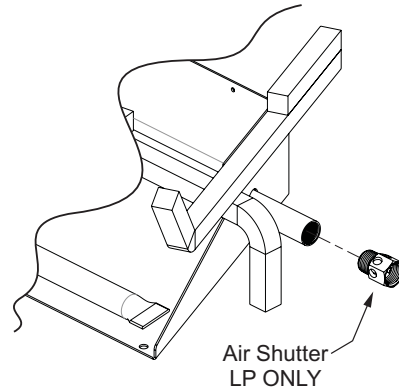


Figure 1

6. **Converting to Propane:** Install air shutter adaptor into burner. See **Figure 2**.

DOUBLE BURNER AND SEE-THRU BURNER



TRIPLE BURNER

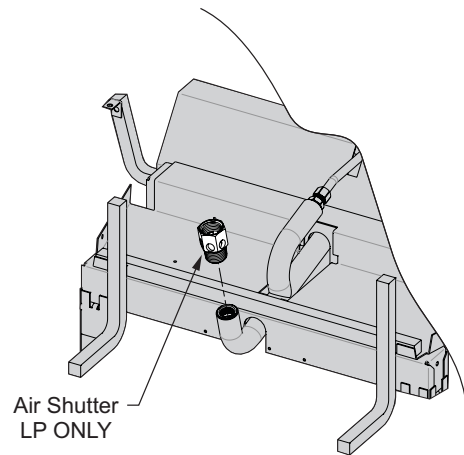
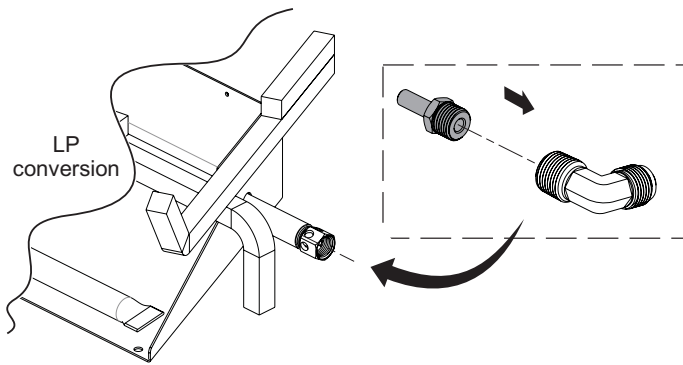
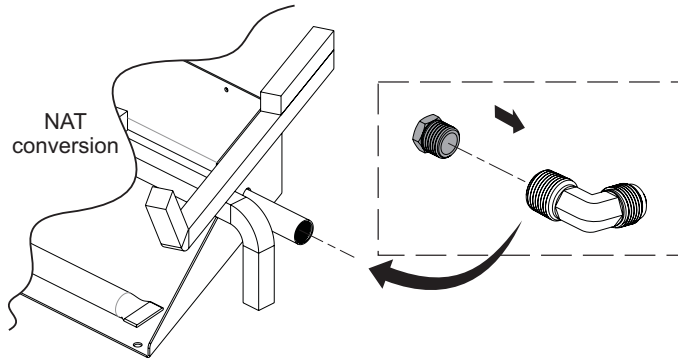


Figure 2

7. **Converting to Propane:** Install the orifice included with the kit into the elbow adapter. See **Figure 3**.
 - BX18 Use 60,000 BTU (#42) Orifice
 - B318 Use 60,000 BTU (#42) Orifice
 - AV21 Use 60,000 BTU (#42) Orifice

8. **Converting to Propane:** Install elbow with orifice holder from step 5 onto air shutter adaptor and over the orifice. See **Figure 3**.

DOUBLE BURNER
AND
SEE-THRU BURNER



TRIPLE BURNER

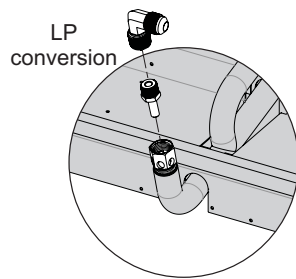
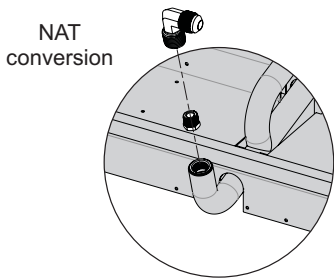
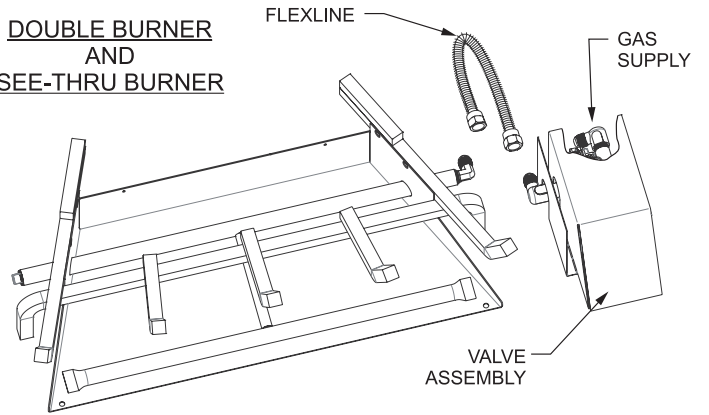


Figure 3

9. Attach flexline from outlet of gas valve to the elbow/orifice holder on the burner. The valve must be placed on the same side of the burner as the elbow/orifice holder. See **Figure 4**.

DOUBLE BURNER
AND
SEE-THRU BURNER



TRIPLE BURNER

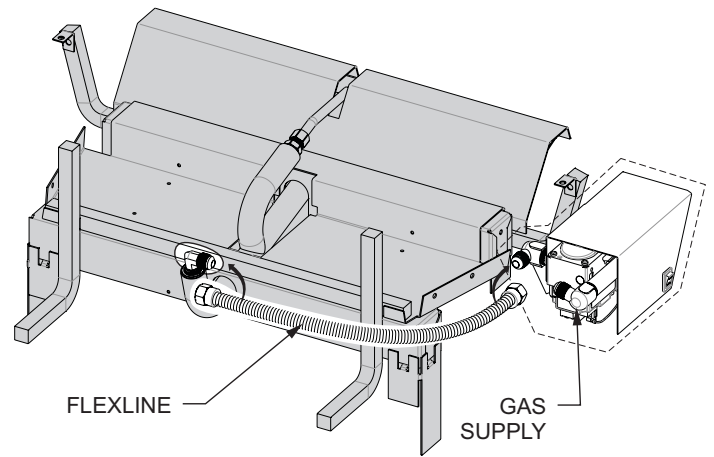


Figure 4

10. Attach pilot bracket with pilot attached to burner assembly with one screw (provided). The pilot bracket mounting screw is tightened to the burner pan body. **See Figure 5.**

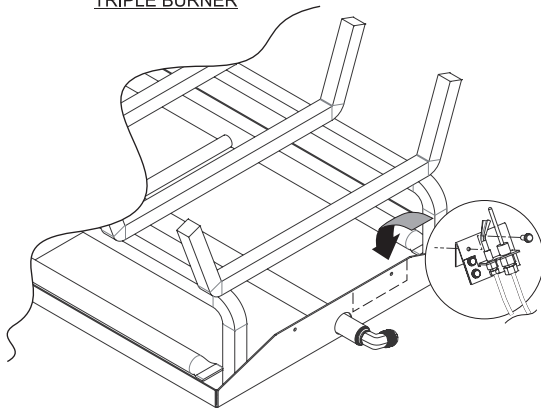
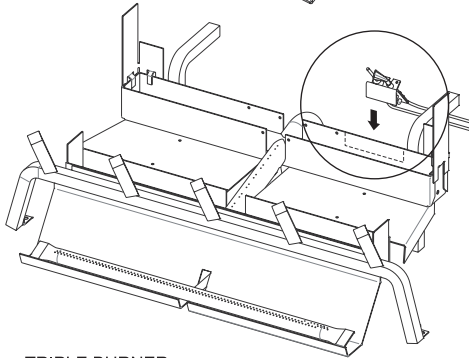
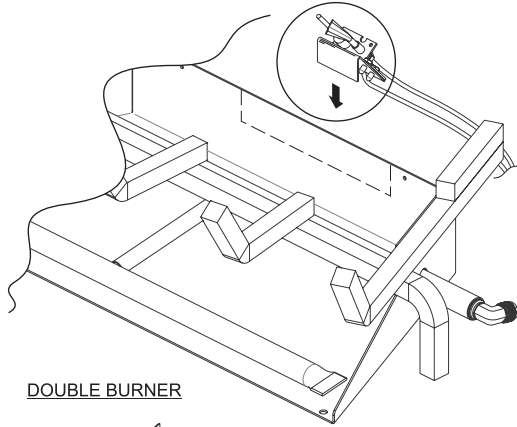


Figure 5

11. Reinstall the burner into the fireplace.
12. Connect valve to gas inlet line.
13. Compounds used on threaded joints of gas piping shall be resistant to the action of liquefied petroleum gases. The gas lines must be checked for leaks by the installer. Testing for leaks on all exposed connections should be done with leak test solution or a soap solution. After testing is complete, all solution should be cleaned off. On unexposed connections, a pressure test should be made.
Never use an exposed flame to check for leaks. Burner must be disconnected from piping at inlet of control valve and pipe capped or plugged for pressure test. Never pressure test with fireplace connected; control valve will sustain damage!
14. Replace the decorative media and logs.
Converting to Propane - BX & B3 Models: Discard the sand and replace with the vermiculite provided with the kit.
15. Place the valve shield onto the valve after lighting the pilot.
16. Installation of valve assembly is complete.