

TOOLS REQUIRED:

- Metal Shear - To Cut Band Straps
- 5/16-inch Hex Drive With Extension

UNPACK THE FIREPLACE

1. Cut the binding straps and remove the shrink wrap.
2. Remove the top protective board and corner posts.
3. Inspect the fireplace for shipping damage.
4. Lift the fireplace from the pallet.

CAUTION

This is an extremely heavy fireplace and requires two or more people to move it. Use gloves when moving this fireplace.

5. Remove the non-combustible boards from the pallet and set them aside for use later.

NOTICE: Non-combustible board is required for installation above the fireplace as specified in the installation instructions.

6. Place the fireplace near its final installation location.
7. The Installation Instruction pack is located to one side of the fireplace.

NOTICE: The burner or burner screen may have some discoloration from test firing at the factory. This is normal and will not be visible once the burner screen is covered with decorative crushed glass media.

REMOVE THE BARRIER SCREEN

1. Remove the barrier screen assembly by gently lifting upward to release, then pull forward.

REMOVE DOOR LIMITER BRACKET

2. On some models, before the Glass Door can be removed, a Door Limiter Bracket must be removed. Using a 5/16-inch hex driver with extension, remove (4 or 5) #10-24 x 3/8-inch screws that retain the Limiter Bracket to the bottom flange of the Glass Door frame, and set the bracket aside. **See Figure 1.**

NOTICE: The Door Limiter Bracket, if included, must be re-installed to the Glass Door frame prior to operation of the fireplace.

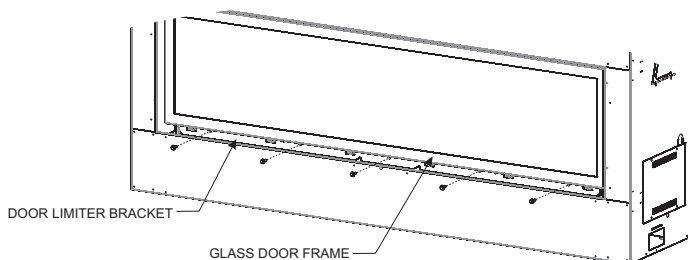


Figure 1

REMOVE THE GLASS DOOR

3. Remove the glass door using the glass door tool secured to the top of the fireplace. Using the tool as a lever, release the bottom of the glass door as shown in **Figure 2.**

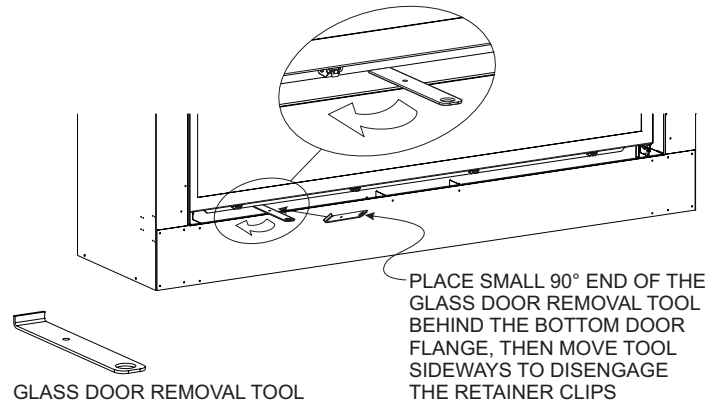


Figure 2

NOTICE: Tabs at the top allow the glass door to pivot outward at the bottom. Spring clips at the bottom of the door frame engage four bullet type retainers to secure.

4. Pivot the glass door outward until the bottom of the door opens 6 to 8 inches. Lift upward on the door to disengage the top from the tab retainers at the top. **See Figure 3.**

NOTICE: Because the door is extra long and heavy, it is recommended that two people remove and install the Glass Door together.

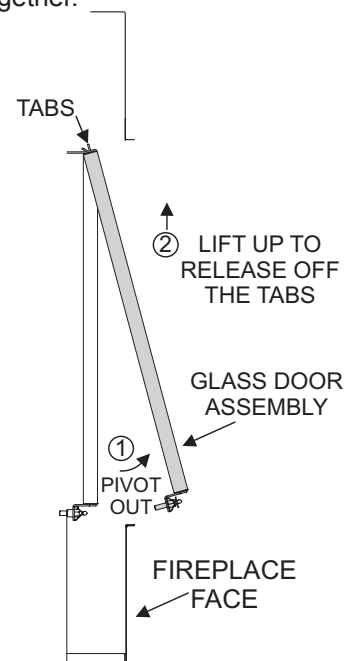


Figure 3

MOVING FIREPLACE

If necessary, the fireplace can be moved with a handtruck as shown in **Figure 4**. The valve end must be up.

Before moving the fireplace with a handtruck, unpack the fireplace, remove the barrier screen, glass door, inner packaging materials, and the light cover. **(If included)**

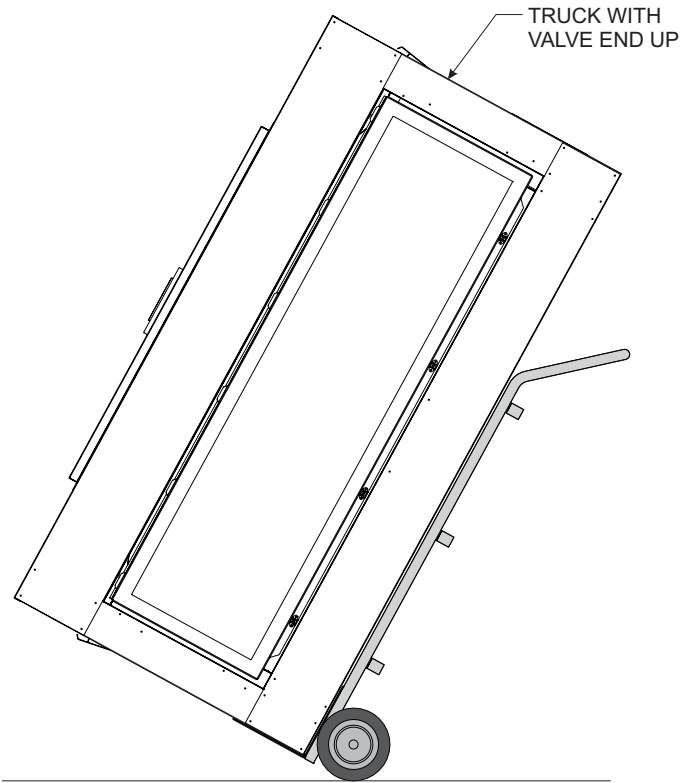


Figure 4