

DECORATIVE WINDOW FRAMES INSTALLATION INSTRUCTIONS

FOR USE ON MODELS: DVLL(48,60,72)BP,SP SERIES FIREPLACES ONLY

INSTRUCTIONS MUST BE LEFT WITH THE OWNER FOR FUTURE REFERENCE AFTER INSTALLATION.

DECORATIVE FRAME MODELS		
DVLL48	DVLL60	DVLL72
DF482NB	DF602NB	DF72LBLX
DF48LBLX	DF60LBLX	—
DF48LBZT	DF60LBZT	—

CLEANING

With the unit turned off and cool to the touch, use a 50/50 solution of vinegar and water and a clean soft cloth to remove dirt and fingerprints. Clean frame before and after start-up and again anytime oil or fingerprints are present. When heated, oil from fingerprints or left over from manufacturing can permanently discolor the plating.

TOOLS NEEDED:

- Phillips Screwdriver

Unpack the decorative window frame assembly and check for damage.

INSTALLATION

1. Remove the fireplace barrier screen assembly. Lift upward on the barrier screen frame about 3/8 inch, then pull forward to remove from the fireplace.
2. Set the barrier screen frame assembly on the floor face up.
3. Place the decorative window frame on top of the barrier screen frame. The window frame end brackets overlap the outside edges of the barrier screen frame.
4. Line up the two clearance holes in the end brackets with the two pilot holes at the end of the barrier frame, then install (2) #8 x 1/2 screws at each side, as shown in **Figure 1**.
5. Re-install the barrier screen with the window frame to the fireplace. **See Figure 2.**
6. Installation is complete.

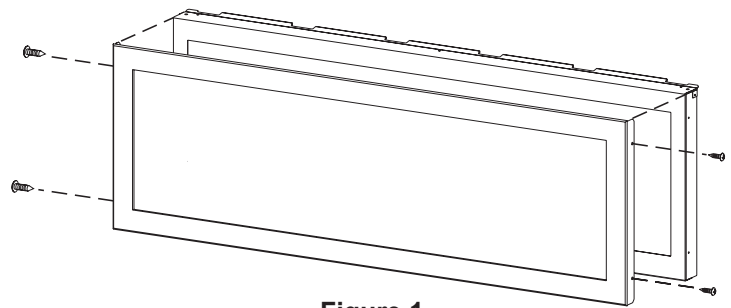


Figure 1

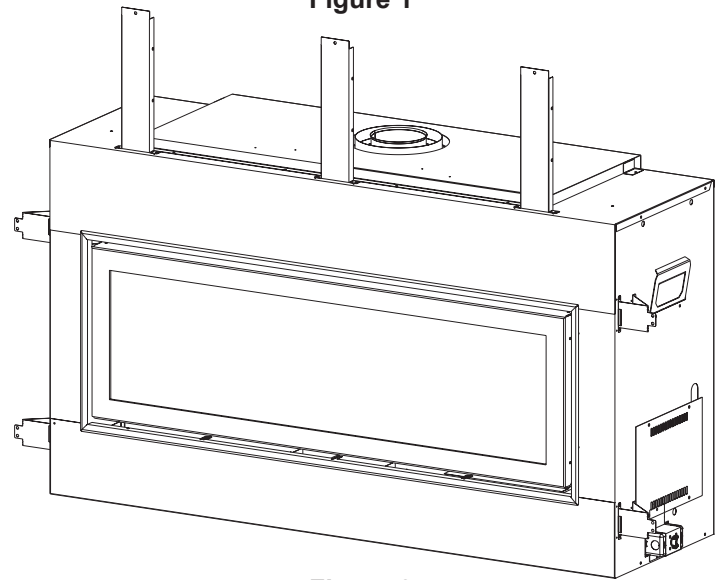
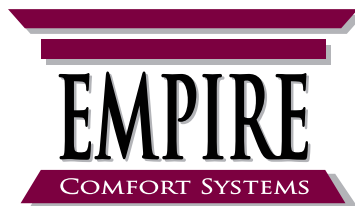


Figure 2



**Empire Comfort Systems Inc.
Belleville, IL**

If you have a general question
about our products, please e-mail
us at info@empirecomfort.com.

If you have a service or repair
question, please contact your dealer.

SINCE 1932

www.empirecomfort.com