

FOR USE ON: DVLL(36,48)BP SERIES FIREPLACES ONLY

INSTRUCTIONS MUST BE LEFT WITH THE OWNER FOR FUTURE REFERENCE AFTER INSTALLATION.

DVLL(36,48)BP SERIES FIREPLACE KITS

DVP36LPKR-1 Porcelain Panel Kit

DVP48LKR-1 Porcelain Panel Kit

CARTON CONTENTS:

- Rear Porcelain Panel
- Left Side Porcelain Panel
- Right Side Porcelain Panel
- Screw Package
- Side Retainer Bracket (Qty. 2)

TOOLS NEEDED:

- Gloves
- Eye Protection
- 5/16 Inch Hex Driver

INSTALLATION

1. Check the Rear Liner Panel to make sure it is not bowed. **NOTE:** The bottom edge has eight tabs that must be in a straight line to match up with the slots at the rear of the firebox. Check to make sure the insulation on the back of the panel remains in place before installation.
2. Install the Rear Panel by aligning the eight tabs on the bottom edge with the eight slots in the back rear of the firebox. **NOTE:** The eight slots are located behind the burner cover plate. **See Figure 1.**

PREPARATION

CAUTION

Sharp edges! To avoid injury, wear safety gloves to install liner.

1. Refer to the fireplace installation manual for removal of the Barrier and Glass Door assemblies prior to installation of the porcelain liner kit.
2. Remove decorative media from hearth and burner cover.
3. Carefully unpack the porcelain liners, verify that all components are included, and inspect for hidden damage, prior to installation.
4. Remove the front Light Cover by lifting it up and out, then set it aside.
5. If installed, remove painted liners from the fireplace. Remove the screw retaining the right side panel with a 5/16-inch nut driver, and remove the panel. Repeat the process for the left side panel. **See Figure 5** for screw location.
6. Remove the two screws that retain the rear liner panel and then remove the panel. **See Figure 3** for screw locations.

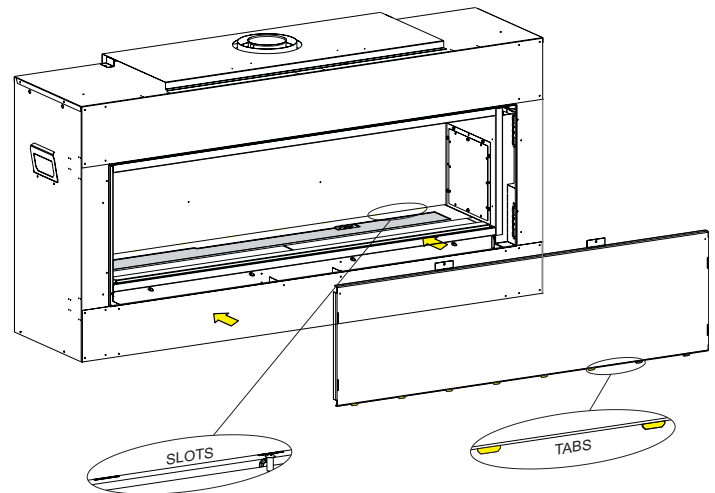


Figure 1

3. Once the tabs are inserted into the slots, rotate the Rear Panel upward against the back of the firebox. **See Figure 2.** Re-install the two previously removed screws (step 6 in Preparation section) through the top tabs of the Rear Panel to secure. **See Figure 3.**

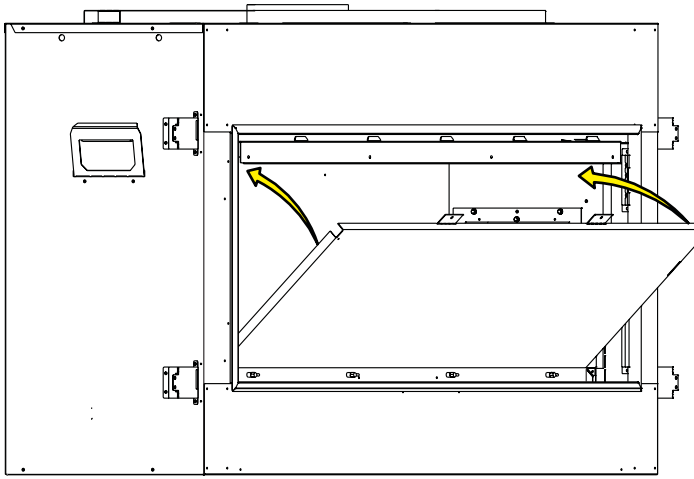


Figure 2

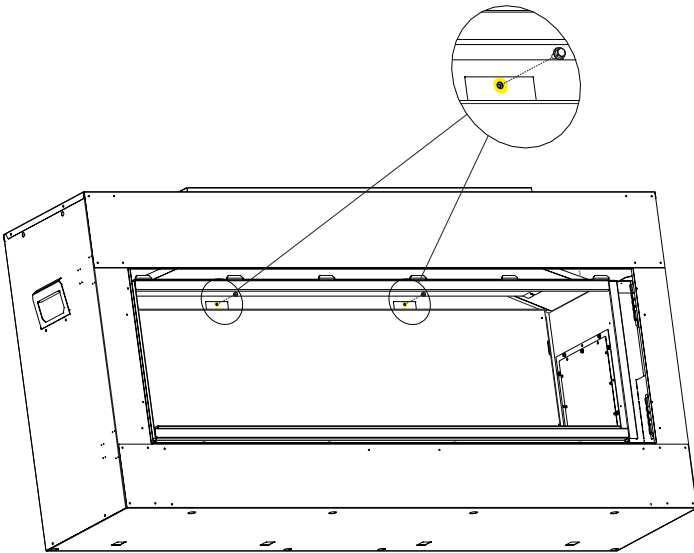


Figure 3

4. Check to make sure the insulation is secured to the back prior to installing the Right Side Panel. Place the Right Side Panel so the two rear tabs align with the two slots at the right end of the Rear Panel. **See Figure 4.**

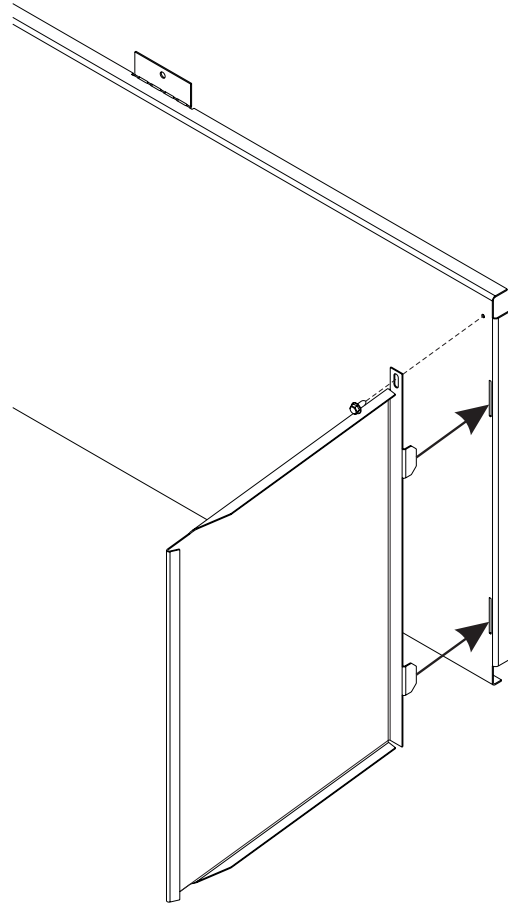


Figure 4

5. Hold the front of the panel against the side retainer bracket, then, shift the side panel reward to engage the rear tabs and slots. At the same time, hook the front flange of the side panel over the side retainer bracket. **See Figures 5 and 6.**

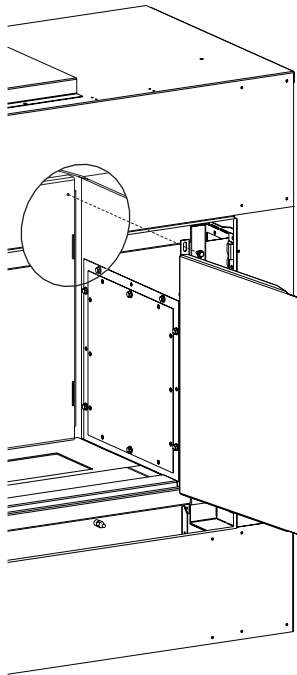
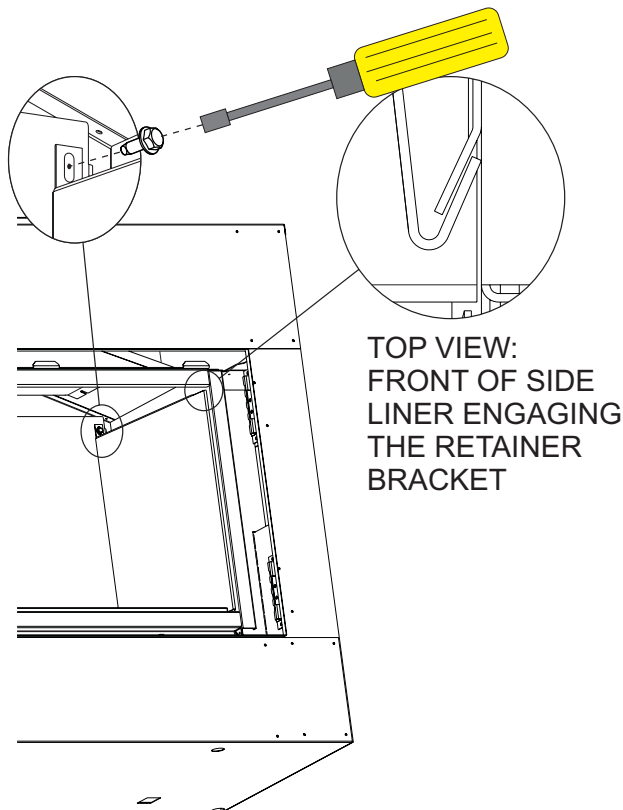


Figure 5

6. Once the panel is properly positioned, install one 5/16 X 1/2 inch screw through the top extended tab into the pilot hole located at the top right corner of the Rear liner panel to secure. **See Figure 6.**



**TOP VIEW:
FRONT OF SIDE
LINER ENGAGING
THE RETAINER
BRACKET**

Figure 6

7. Check to make sure the insulation is secured to the back prior to installing the Left Side Panel. To install the Left Side Panel, place it so that the two rear tabs align with the two slots at the left end of the Rear Panel. Hold the front of the panel against the side retainer bracket, then shift the side panel reward to engage the rear tabs and slots. At the same time, hook the front flange of the side panel over the side retainer bracket. Once the panel is properly positioned, secure with one 5/16 X 1/2 inch screw through the top extended tab into the pilot hole located at the top left corner of the Rear Panel. **See Figure 7.**

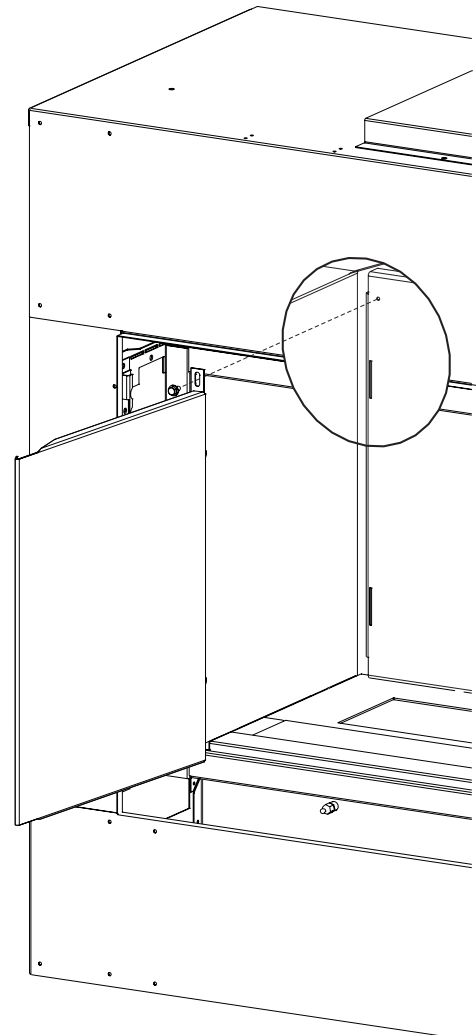
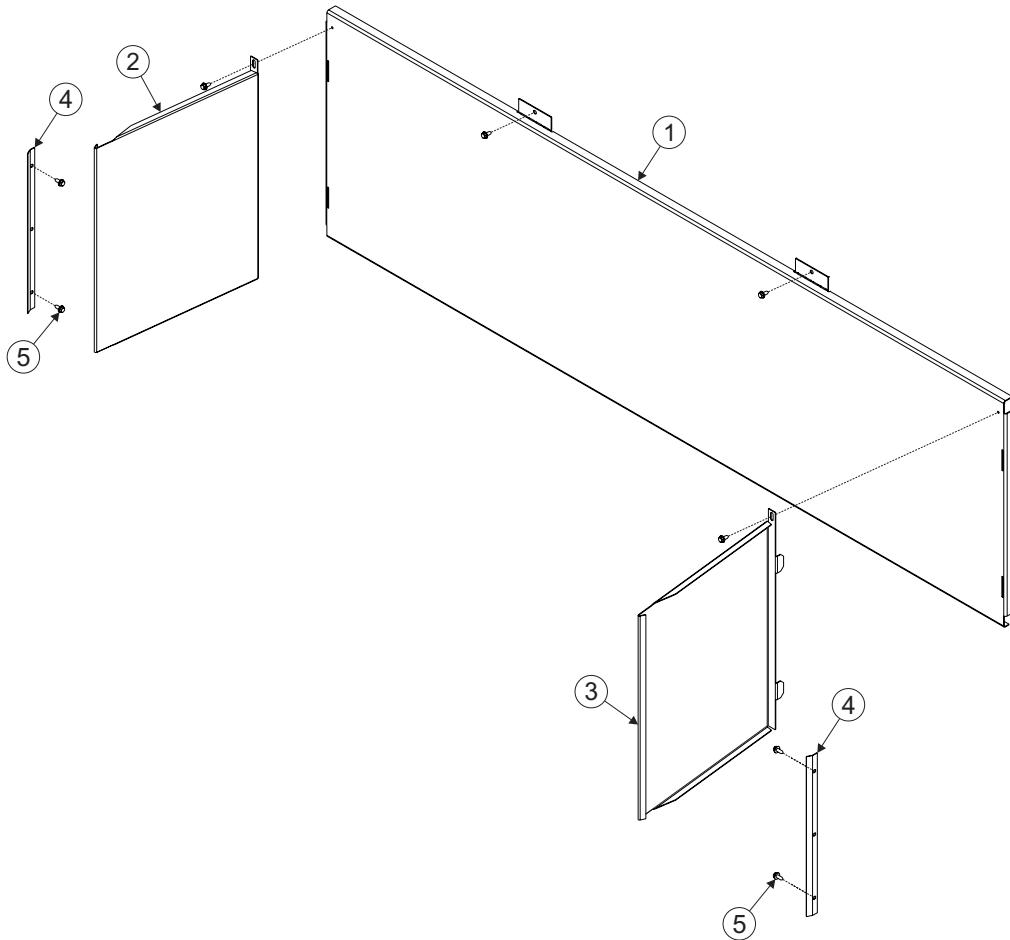


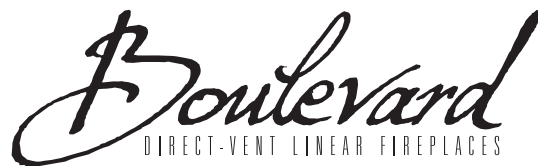
Figure 7

8. Check to see that all exposed insulation is tucked behind the side panels. If necessary, trim away the excess insulation away, using a utility knife.
9. Replace the Light Cover.
10. Add decorative media as desired.
11. Replace Glass Door and Barrier assemblies.



INDEX NUMBER	PART NUMBER		DESCRIPTION	QUANTITY SUPPLIED
	DVP36LPKR	DVP48LKR		
1	40500BL	36421BL	Panel, Rear Liner	1
2	36422BL	36422BL	Panel, Left Liner	1
3	36423BL	36423BL	Panel, Right Liner	1
4	35632	35632	Bracket, Side Panel	2
5	R2737	R2737	Screw, #10x1/2in	6
N/S	R11285 (2)	R11286 (3)	Insulation - Rear Panel	3
N/S	R11970	R11970	Insulation - Side Panel	2

N/S - Not Shown



**Empire Comfort Systems Inc.
Belleville, IL**

If you have a general question about our products, please e-mail us at info@empirecomfort.com.

If you have a service or repair question, please contact your dealer.

www.empirecomfort.com