



FOR THE HOMEOWNER

Empire Comfort Systems has manufactured safe, reliable heating systems since 1932. We take pride in our reputation for quality products, backed by the best sales, service and distribution network in this industry. These fireplace models combine our proven technologies with exceptional artistry and craftsmanship to add beauty and warmth to any home.

There are several decorative options available for your fireplace. Contact your Empire dealer for more information.

CONTEMPORARY LINEAR VENT-FREE GAS FIREPLACE MODELS

VFLL60SP90L(N,P)-1



IMPORTANT INFORMATION

⚠ WARNING

Read and follow these safety precautions prior to operating this appliance. Failure to follow these precautions may result in death, injury, or property damage.

SAMPLES AND DEFINITIONS:

⚠ DANGER

Indicates a hazardous situation which, if not avoided, will result in death or serious injury.

⚠ WARNING

Indicates a hazardous situation which, if not avoided, could result in death or serious injury.

⚠ CAUTION

Indicates a hazardous situation which, if not avoided, could result in minor or moderate injury.

NOTICE: Addresses practices not related to personal injury.

All correspondence should refer to complete Model Number, Serial Number and type of gas. Fill out the Homeowner Reference Section on page 8 in installation manual.

FOR THE HOMEOWNER

- Do not allow Combustible Materials adjacent to or in contact with the fireplace. Combustible materials include wood, compressed paper, plant fibers, or other materials that will burn. These materials are considered combustible even when treated with fire-retardant chemicals.
- Alert children and adults to the hazards of high surface temperatures. Warn them to stay away to avoid burns and clothing ignition.
- Supervise children when they are in the same room as the fireplace.
- Do not place clothing or other flammable material on or near the fireplace.
- Any safety screen or guard removed for servicing the fireplace must be replaced prior to operating the fireplace.
- Keep fireplace area clear and free from combustible materials, gasoline and other flammable vapors and liquids.
- Do not use this fireplace if any part has been under water. Immediately call a qualified service technician to inspect the fireplace and to replace any part of the control system and any gas control which has been under water.
- Operate fireplace with all glass panels in place.
- Do not place embers (rock wool) in this fireplace.
- Do not place lava rocks in this fireplace.

⚠ WARNING

This fireplace is not for use with solid fuels. Improper use of the fireplace can cause serious injury or death from fire, burns, explosions or carbon monoxide poisoning.

TELEVISION CONSIDERATIONS

Installing a television above a fireplace has become increasingly popular; however, the area above any fireplace gets hot and most TV manufacturers recommend against placing their products near a heat source.

If you install a television above this fireplace, Empire Comfort Systems accepts no responsibility for damage or injuries. Follow the television manufacturer's installation instructions, including any recommendations regarding proximity to heat sources. If you have a TV above your fireplace, turn off the fireplace and let it cool completely before servicing or touching any buttons on the TV.

MAINTENANCE AND SERVICE

Although the frequency of servicing and maintenance will depend on use and the type of installation, you should have a qualified service technician perform an appliance checkup at the beginning of each heating season. Specific guidelines regarding each appliance maintenance task are listed below.

NOTICE: It is normal for steel appliances to make expansion and/or contraction noise during the start-up or cool-down cycle. Similar noises are found with your furnace heat exchanger or car engine.

NOTICE: During manufacture, components of this fireplace insert are treated with oils, films or bonding agents. These are not harmful, but may produce smoke and smells as they are burned off during the initial operation of the fireplace insert. This is normal. Open a window to ventilate the area.

Only glass approved for use by the manufacturer in fireplace may be used for replacement. The glass replacement must be done by a licensed or qualified service person.

⚠ WARNING

- **Avoid breaking the glass.**
- **Do not operate this appliance without the glass panel or with a broken glass panel.**
- **Replace only with Empire Comfort Systems parts.**

⚠ CAUTION

Do not use Ammonia-based or abrasive cleaners on glass. Do not attempt to clean glass when glass is hot.

COMBUSTIBLE MATERIAL

⚠ WARNING

Do not attach combustible material to the mantel of your fireplace. This is a fire hazard.

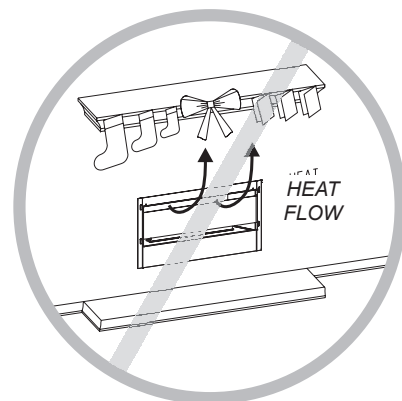


Figure 1

REMOVING & REPLACE THE GLASS FRONT

NOTICE: Spring tension inside the fireplace helps reduce glass rattle. When you move the glass to the left, you will feel resistance.

REMOVING THE GLASS PANEL

1. Lift the glass panel up, slide it to the right, and then carefully angle left side out of the slots. See Figure 2.

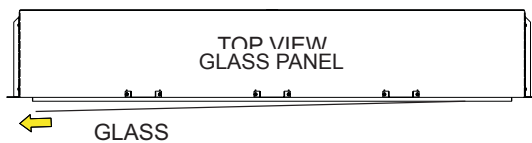
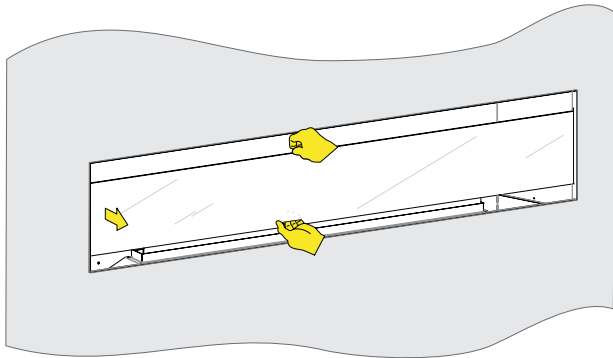
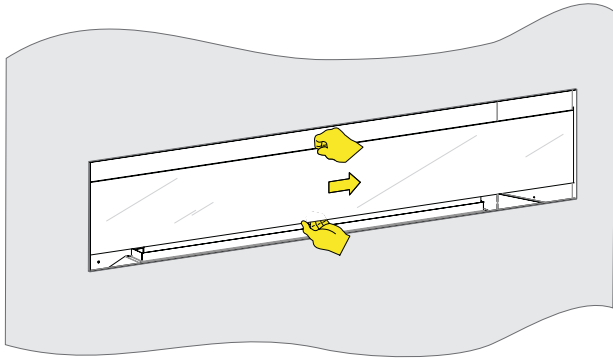
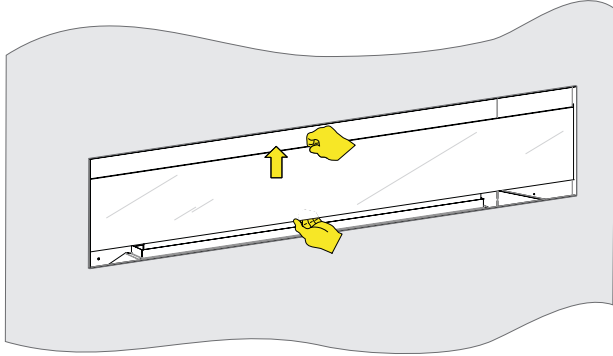


Figure 2

REPLACING THE GLASS PANEL

1. Place the right side of the glass panel into the slots in the firebox. Carefully angle in the left side of the glass panel and then slide the glass panel to the left. Settle the glass panel into the slots by gently lowering it. See Figure 3.

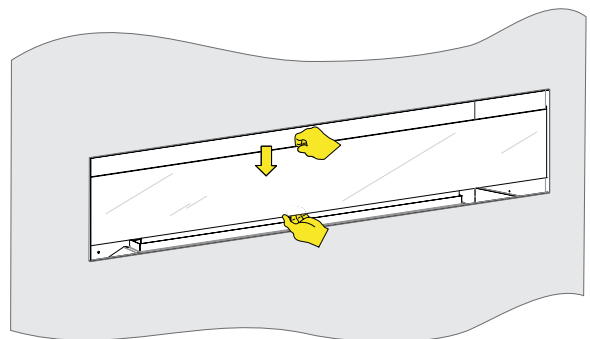
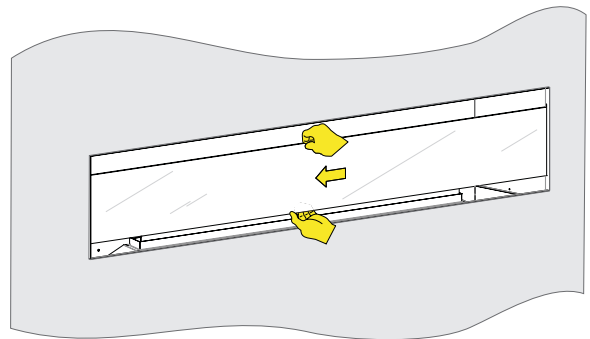
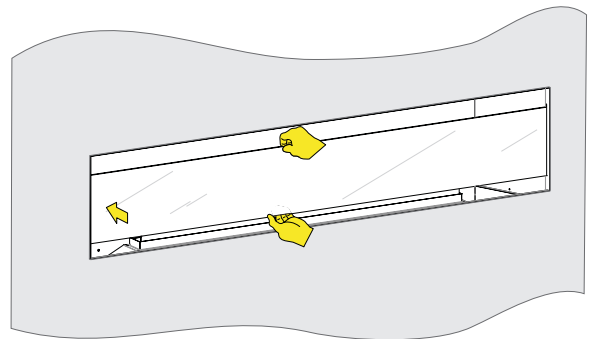
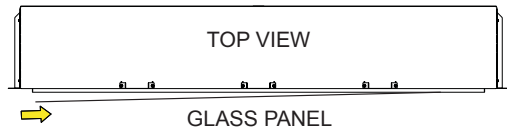


Figure 3

DECORATIVE GLASS & ROCK PLACEMENT

Decorative Crushed Glass is available in various colors, however for the lighting system to be visible, use a clear style such as clear frost, copper reflective, or bronze reflective. Add small quantities of other colors as accents if desired

⚠ CAUTION

- **Crushed glass and Glass droplets must not be more than a single layer. Do not use more glass than recommended.**
- **Never place media materials on or next to the burner.**
- **Use gloves and eye protection while applying the decorative glass, droplets, ceramic logs or ceramic rocks.**
- **Do not use real rocks or glass. Use decorative logs, rocks and glass only from Empire Comfort Systems and specifically for the VFLL60SP.**
- **Keep the decorative media on the wire mesh support. Do not restrict air flow.**

1. Apply the crushed glass to the shaded area only. **See Figure 4.** Use enough to cover the floor of the fireplace, but do not allow the media to reach higher than the flange surrounding the burner. Never place decorative media inside the glass panel surrounding the burner itself. This fireplace uses crushed glass. Accent glass droplets (1/2 inch) or glass drops (1 inch), and ceramic fiber logs, rocks and pebbles. Mix colors and glass types, but do not exceed the recommended amount of decorative media.

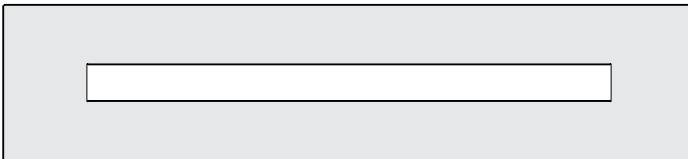


Figure 4

Quantity of Glass	
Model	Amount
VFLL60SP	4 square feet

LIGHTING INSTRUCTIONS



FOR YOUR SAFETY READ BEFORE LIGHTING

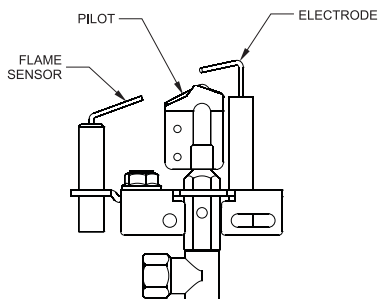
⚠ WARNING

If you do not follow these instructions exactly, a fire or explosion may result causing property damage, personal injury or loss of life.

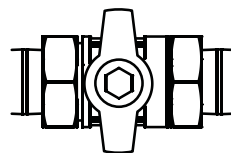
- A. This appliance has a pilot which can be lit by hand or by switching the remote receiver switch to the "ON" position. When lighting the pilot, follow these instructions exactly.
- B. Before lighting smell all around the appliance area for gas. Be sure to smell next to the floor because some gas is heavier than air and will settle on the floor.
What To Do If You Smell Gas
 - Do not try to light any appliance.
 - Do not touch any electrical switch;
 - Do not use any phone in your building.
 - Immediately call your gas supplier from a neighbor's phone. Follow the gas supplier's instructions.
 - If you cannot reach your gas supplier, call the fire department.
- C. If applicable, use only your hand to turn the gas shutoff valve handle. Never use tools. If the handle will not turn by hand, don't try to repair it; call a qualified service technician. Force or attempted repair may result in a fire or explosion.
- D. Do not use this appliance if any part has been under water. Immediately call a qualified service technician to inspect the appliance and to replace any part of the control system and any gas control which has been under water.

LIGHTING INSTRUCTIONS

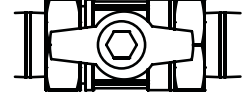
1. STOP! Read the safety information above.
2. Turn OFF electric power to the appliance.
3. Turn gas shutoff valve counterclockwise  to On position.
4. Wait ten (10) minutes to clear out any gas. Then smell for gas, including near the floor. If you smell gas, STOP! Follow B in the safety information above on this page. If you do not smell gas, go to the next step.
5. Turn ON electric power to the appliance.
6. Find pilot. The pilot is next to the burner.
7. Turn main flame to on. If the pilot does not light within 60 seconds, stop and go to Step 5.
8. Refer to remote control instructions for detailed information, control features, and operation. **Notice:** There is a CPI/ IPI switch for a continuous standing pilot mode or an intermittent pilot mode. See appliance manual for location of this switch. If the pilot or burner does not stay lit (in the standing pilot mode), stop and immediately call a qualified service technician or gas supplier.
9. If the burner or pilot does not operate properly after several tries, turn the gas valve clockwise  to OFF and call your service technician or gas supplier.
10. Operation of the gas valve is controlled by a manual on/off switch or a hand held remote control. Refer to remote instructions for detailed operation information.



GAS SHUTOFF VALVE




OFF



ON

TO TURN OFF GAS TO FIREPLACE

1. Set REMOTE/OFF/ON switch to OFF.
2. Turn off all electric power to the appliance if service is to be performed (if applicable).
3. Turn gas shutoff clockwise  to OFF. Do not force.

LED & FIREPLACE WALL CONTROLS

LED BRIGHTNESS BUTTON

Press the LED Brightness Button to activate the LED lights and to switch the LED Intensity to High, Medium, Low or Off.

- 1 – On – High
- 2 – Medium
- 3 – Low
- 4 – Off

Use the Brightness Button in conjunction with the Mode Button to create unique looks.

Lights will remember the last Mode when turned on again. (After a power failure, you must reset the lights to the desired Mode.)

Turn off the LED Lights when not in use.

LED MODE BUTTON

Press the Mode Button to switch LED light system from Automatic Color Changes to Individual Colors.

- 1 – Auto-cycle – Rapid
- 2 – Auto-cycle – Gradual
- 3 – Pause Auto-cycle
- 4 – Deep Blue
- 5 – Royal Violet
- 6 – Cardinal Red
- 7 – Sea Green
- 8 – Forest Green
- 9 – Tranquil Blue
- 10 – White

NOTICE: LED lights will automatically turn off after two hours.

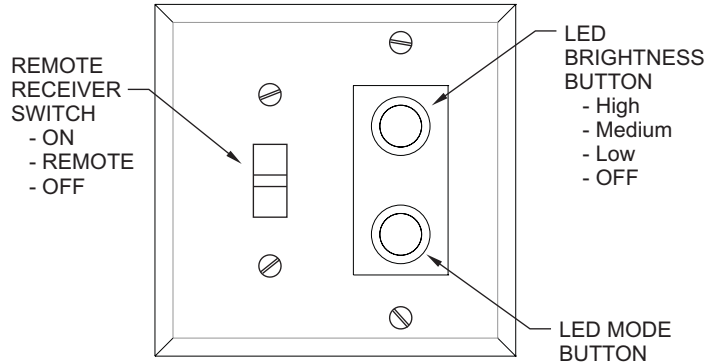


Figure 5

USING THE REMOTE CONTROL

CAUTION

The transmitter and receiver are radio frequency devices. Placing the receiver in or near metal may severely reduce the signal range.

NOTICE:

- Turn OFF the main gas supply of the fireplace during installation or maintenance of the receiver.
- Place the receiver's 3-position slider switch in the OFF position during installation or maintenance.

WARNING

Fire Hazard. The receiver lights the fireplace, which can turn on suddenly. Keep away from the fireplace burner when operating the remote system or activating manual bypass of the remote system.

WARNING

Property Damage Hazard. Excessive heat can cause property damage. The fireplace can stay lit for many hours. Turn off the fireplace if it is not going to be attended for any length of time.

WARNING

Always place the Transmitter where children can not reach it.

TRANSMITTER (REMOTE CONTROL WITH LCD DISPLAY)

The Proflame Transmitter uses a streamline design with a simple button layout and informative LCD display. See Figure 6.

The Transmitter is powered by 3 AAA type batteries. A Mode Button is provided to Index between the features and a Thermostat Button is used to turn on/off or index through thermostat functions. See Figures 6 and 7.

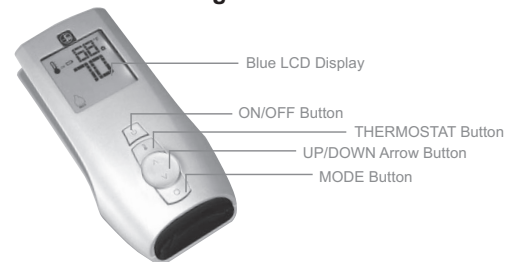


Figure 6 - Proflame Transmitter (Remote Control)

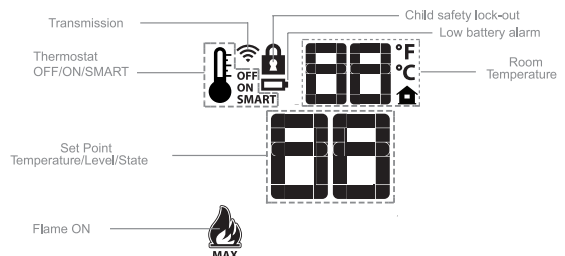


Figure 7 - Transmitter LCD display

USING THE REMOTE CONTROL (CONT'D)

INITIALIZING THE SYSTEM

Install 4 AA batteries into the receiver located behind the wall plate. **See Figure 5.** Note the polarity of battery and insert into the battery bay as indicated on the Battery cover (+/-). Place the 3 position slider switch in the Remote position. Insert paper clip, or other similar object into the hole marked PRG on the receiver front cover. The receiver will beep three times to indicate that it is ready to synchronize with a transmitter. Install the 3 AAA type batteries in the transmitter. Push the ON button. The receiver will beep four times to indicate the transmitter's command is accepted and sets to the particular code of that transmitter. The system is now initialized.

TEMPERATURE INDICATION DISPLAY

With the system OFF, press the Thermostat Button and the Mode Button at the same time. Verify that a C or F is visible to the right of the Room Temperature display. **See Figures 8 and 9.**

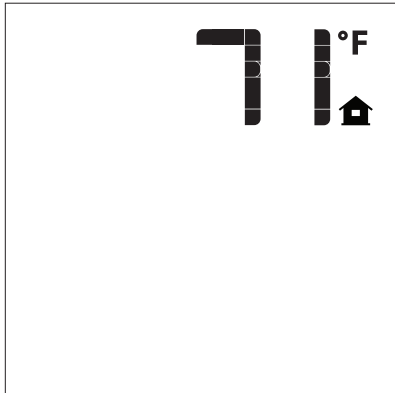


Figure 8 - Fahrenheit

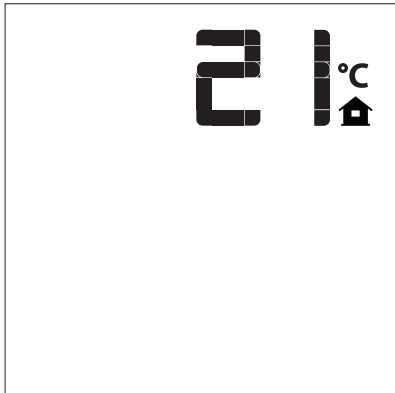


Figure 9 - Celsius

TURN ON THE FIREPLACE

Press the ON/OFF Button. The Transmitter display will show all active icons on the screen. The fireplace main burner turns on. A single beep from the Receiver will confirm reception of the command.

TURN OFF THE FIREPLACE

Press the ON/OFF Button on the Transmitter. The Transmitter LCD display will only show the room temperature and icon. **See Figure 10.** The fireplace burner turns off. A single beep from the Receiver confirms reception of the command.

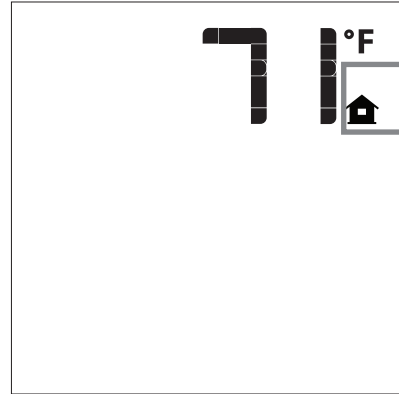


Figure 10

USING THE REMOTE CONTROL (CONT'D)

REMOTE FLAME CONTROL

The remote has six flame levels. With the system on, and the flame level at maximum, each time you press the down arrow button will reduce the flame height by one step until the flame is turned off. Pushing the up arrow button will increase the flame height each time it is pressed. Pushing the up arrow button while the system is on but the flame is off will light the burner, the flame will come on in the high position. See Figures 11 and 12. A single beep confirms receipt of the command.

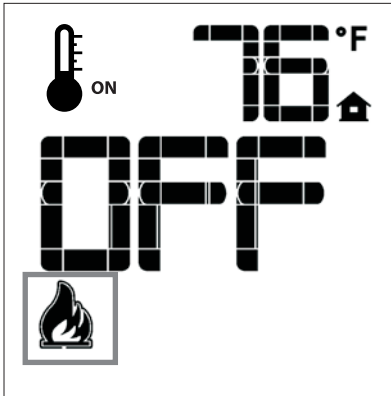


Figure 11

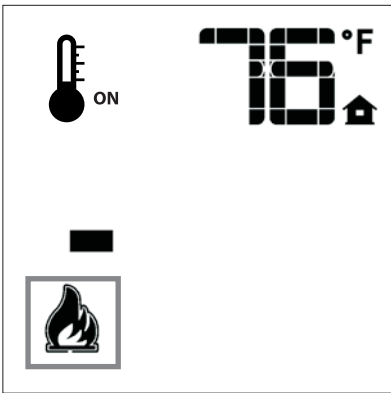


Figure 12

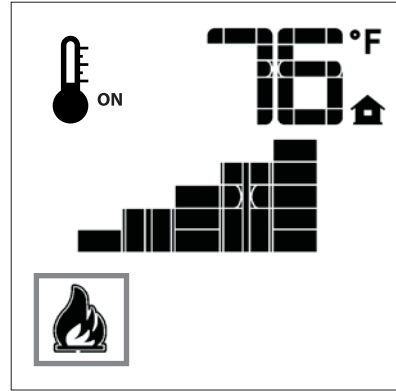


Figure 13

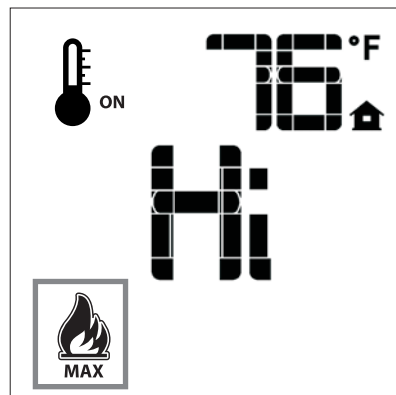


Figure 14

USING THE REMOTE CONTROL (CONT'D)

THERMOSTAT OPERATION

The Remote Control can operate as a room thermostat. The thermostat can be set to a desired temperature to control the comfort level in a room.

To activate this function, press the Thermostat Button. **See Figure 6.** The LCD display on the Transmitter will change to show that the room thermostat is ON and the set temperature is now displayed. **See Figures 15 and 16.** To adjust the set temperature, press the Up or Down Arrow Buttons until the desired set temperature is displayed on the LCD screen of the Transmitter.

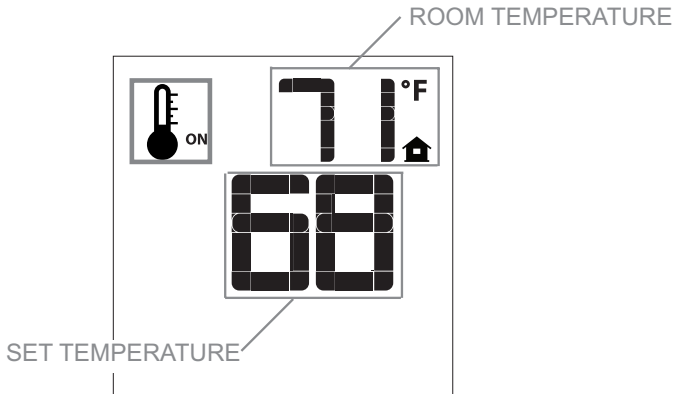


Figure 15

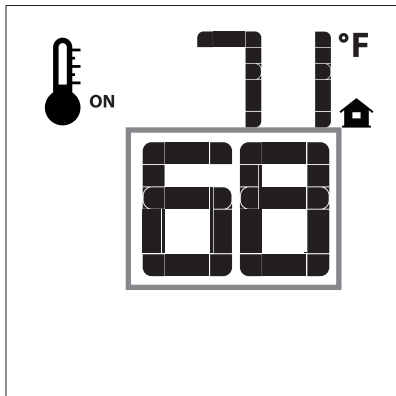


Figure 16

SMART THERMOSTAT (TRANSMITTER OPERATION)

The Smart Thermostat function adjusts the flame height in accordance to the difference between the set point temperature and the actual room temperatures. As the room temperature gets closer to the set point the Smart Function will modulate the flame down.

To activate this function, press the Thermostat Button (**Figure 6**) until the word SMART appears to the right of the temperature bulb graphic. **See Figure 17.** To adjust the set temperature, press the Up or Down arrow Buttons until the desired set point temperature is displayed on the LCD screen of the Transmitter. **See Figure 18.**

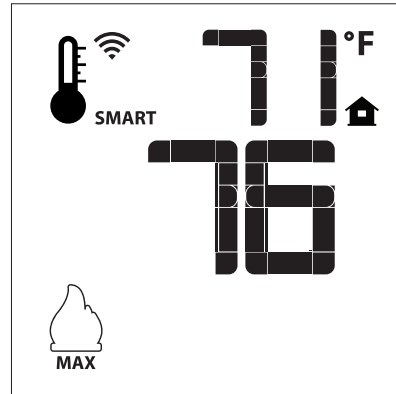


Figure 17

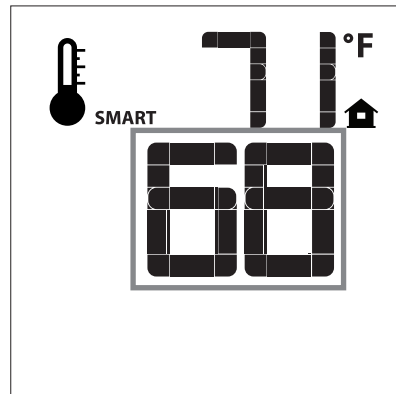


Figure 18

USING THE REMOTE CONTROL (CONT'D)

BUTTON LOCK

This function will lock the buttons to prevent unsupervised operation.

To lock the remote, press the MODE and the UP arrow button at the same time. **See Figure 19.**

To unlock the remote, press the MODE and the UP arrow button at the same time.

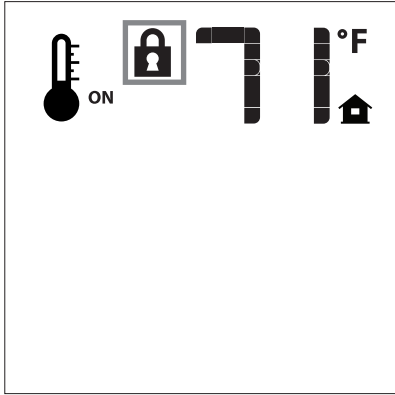


Figure 19

LOW POWER BATTERY INDICATOR_TRANSMITTER

When the Transmitter batteries are low, a battery icon will appear on the LCD display. **See Figure 20.** Replace the batteries and the Icon will disappear. See page 11 to change batteries in remote switch.

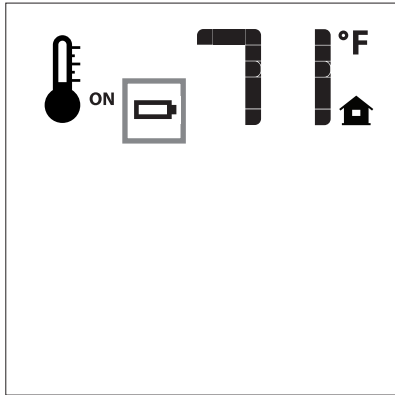


Figure 20

RECEIVER

When the receiver batteries are low, no beep will be emitted when it receives an ON/OFF command from the transmitter. Replace the batteries.

MANUAL BYPASS OF THE REMOTE SYSTEM

If the batteries of the receiver or transmitter die, you can still operate the fireplace manually by sliding the three position slider switch on the wall control to the ON position. This will bypass the remote control feature of the system and the fireplace main burner will come on.

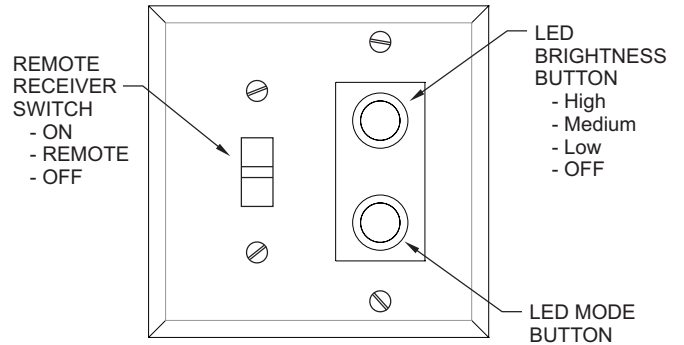


Figure 21

CLEANING AND SERVICE

Annual inspection and cleaning by your dealer or qualified service technician is recommended to prevent malfunction. **TURN OFF FIREPLACE AND ALLOW TO COOL BEFORE CLEANING.**

Remove any optional decorative covers or decorative glass material. Gloves are recommended.

PERIODIC CLEANING - Refer to parts diagram for location of items discussed below.

- Do not use cleaning fluid to clean any part of fireplace.
- Clean glass with ammonia-free cleaner. Ammonia will etch or stain glass when heated.
- Remove loose particles and dust from the burner, controls and air shutter.
- Inspect and clean burner air intake hole. Remove lint or particles with brush. Failure to keep air intake hole clean will result in sooting and poor combustion.

ANNUAL CLEANING/INSPECTION - Refer to parts diagram for location of items discussed below.

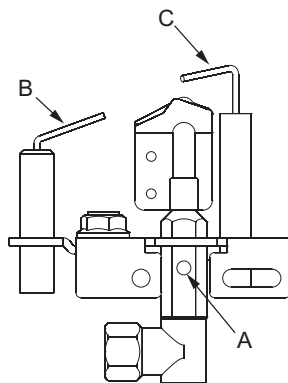
- Inspect and clean burner air intake hole. Remove lint or particles with vacuum or brush. Failure to keep air intake hole clean will result in sooting and poor combustion.
- Inspect and clean all burner ports.
- Inspect ODS pilot for operation and accumulation of lint at air intake holes.
- Verify flame pattern for proper operation.
- Verify smooth and responsive ignition of main burner.

PILOT MAINTENANCE AND CLEANING

Oxygen Depletion Sensor Pilot

When the pilot has a large yellow tip flame, clean the Oxygen Depletion Sensor as follows:

1. Use canned air to blow through hole A. **See Figure 22.** This will blow out foreign materials such as dust, lint and spider webs.



INTERMITTENT PILOT
Figure 22

⚠ WARNING

Never use needles, wires, or similar cylindrical objects to clean the pilot to avoid damaging the calibrated ruby that controls the gas flow.

2. If intermittent pilot fireplace stops working, clean flame sensor B (**Figure 22**) with a damp cloth.
3. If intermittent pilot ignitor does not spark, clean ignitor C (**Figure 65**) with a damp cloth.

CONTROL COMPARTMENT AND BURNER MAINTENANCE

Keep the control compartment and burner area clean by vacuuming or brushing area at least twice a year.

⚠ WARNING

The fireplace can get very hot. Handle only when cool.

Always turn off gas to the pilot before cleaning. For relighting, refer to lighting instructions located on the rating plate. Never obstruct the flow of the combustion and ventilation air. Keep the front of the fireplace clear of all obstacles.

BATTERY REPLACEMENT

An intermittent pilot may require more frequent battery changes. To replace the batteries, follow these steps:

1. Remove the cover from the electrical box on the wall.
2. Replace the batteries inside the box.
3. Replace the cover using four (4) #4 x 1/2 Phillips screws.

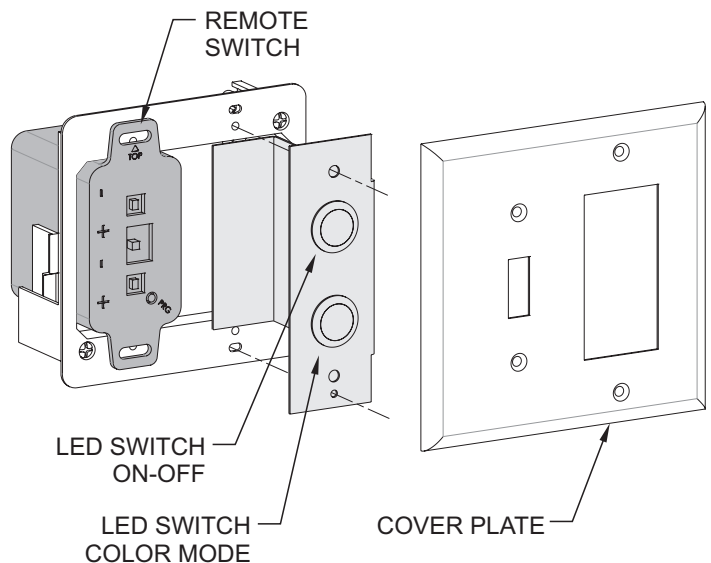


Figure 23

WARRANTY

Empire Comfort Systems Inc. warrants this hearth product to be free from defects at the time of purchase and for the periods specified below. Hearth products must be installed by a qualified technician and must be maintained and operated safely, in accordance with the instructions in the owner's manual. Empire will not warranty any Boulevard fireplace that is not installed by the selling dealer or that dealer's direct contract agents. This warranty applies to the original purchaser only and is not transferable. All warranty repairs must be accomplished by a qualified gas appliance technician.

Limited Lifetime Parts Warranty with a Five-Year Limited Labor Warranty – Combustion Chamber and Heat Exchanger

- If the combustion chamber or heat exchanger (see parts list) fails because of defective workmanship or material, Empire will repair or replace at Empire's option.
- Within five years from the date of purchase, Empire will pay reasonable labor to have the defective part repaired or replaced at Empire's option.

Limited Five-Year Parts & Labor Warranty – All Other Components

(Except Remote Controls, Thermostats, Lights, Accessories and Replacement Parts)

- Should any part fail because of defective workmanship or material within five years from the date of purchase, Empire will repair or replace at Empire's option.
- Within five years from the date of purchase, Empire will pay reasonable labor to have that defect repaired at Empire's option.

Limited One-Year Parts Warranty – Remote Controls, Thermostats, Lights, Accessories, and Replacement Parts

- Should any remote control, thermostat, lighting system component, replacement part fail because of defective workmanship within one year from the date of purchase, Empire will repair or replace at Empire's option.

Duties Of The Owner

- The appliance must be installed by a qualified installer and operated in accordance with the instructions furnished with the appliance.
- A bill of sale, cancelled check, or payment record should be kept to verify purchase date and establish warranty period.
- Ready access to the appliance for service.

What Is Not Covered

- Damages that might result from the use, misuse, or improper installation of this appliance. Travel, diagnostic costs and freight charges on warranted parts to and from the factory.
- Claims that do not involve defective workmanship or materials.
- Unauthorized service or parts replacements.
- Removal and reinstallation cost.
- Inoperable due to improper or lack of maintenance.

How To Get Service

- To make a claim under this warranty, please have your receipt available and contact your installing dealer. Provide the dealer with the model number, serial number, type of gas, and purchase verification. The installing dealer is responsible for providing service and will contact the factory to initiate any warranted parts replacements. Empire will make replacement parts available at the factory. Shipping expenses are not covered.
- If, after contacting your Empire dealer, service received has not been satisfactory, contact: Consumer Relations Department, Empire Comfort Systems Inc., PO Box 529, Belleville, Illinois 62222, or send an e-mail to info@empirecomfort.com with Consumer Relations in the subject line.

Your Rights Under State Law

- This warranty gives you specific legal rights, and you may also have other rights, which vary from state to state.



SINCE 1932

www.empirecomfort.com

Empire Comfort Systems Inc.
Belleville, IL

If you have a general question about our products, please e-mail us at info@empirecomfort.com.

If you have a service or repair question, please contact your dealer.