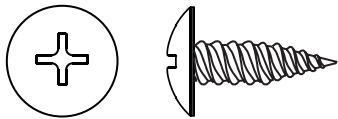


FOR USE ON: VFLC,VFPC(20,28)IN FIREPLACE INSERTS

INSTRUCTIONS MUST BE LEFT WITH THE OWNER FOR FUTURE REFERENCE AFTER INSTALLATION.

TYPE OF SURROUND	INSERT MODELS			
	VFLC(10,20)IN	VFLC28IN	VFPC20IN	VFPC28IN
4" Top X 3" Legs (3-Sided) Black	DS20433	DS28433	DS20433	DS28433
7" Top X 6" Legs (3-Sided) Black	DS20763	DS28763	DS20763	DS28763
3" Top, Sides And Bottom (4-Sided) Black	DS20334	DS28334	DS20334	DS28334



#8-18 x 1/2" PHILLIPS TRUSS HEAD SCREW

**Tools Required:** Phillips Screw Driver

**NOTICE:** Installation and repair must be done by a qualified service person.

**Attention:** Do not handle the surround with your bare hands. Wear gloves to prevent injury from sharp edges.

### Preparation

1. Unpack the components and check for damaged or missing parts.
2. Remove the barrier screen from the fireplace insert. Refer to the instructions provided with the fireplace insert.

### Installation

1. Place the Insert on the fireplace hearth prior to installing the Surround.
2. Attach the lip to the top inside flange of the surround.
3. Align the mating holes and install three #8 X 1/2" Phillips Truss Head screws to secure. **See Figure 1.**
4. Install the On/Off switch in the outer edge of the surround panel at this time, if desired. Refer to the instructions supplied with the VFLC or VFPC Series Insert for switch installation. (3-sided Surrounds only)
5. Remove the knockout at the lower right corner of the surround to route the power cord if desired.
6. Install the surround to the insert by aligning the four hooks on the surround with four rectangular cutouts in the face flanges of the insert.
7. Slide the Insert with the attached Surround, into the fireplace cavity.
8. Install the Barrier Screen Assembly.

**NOTE:** 3-sided Surround shown.

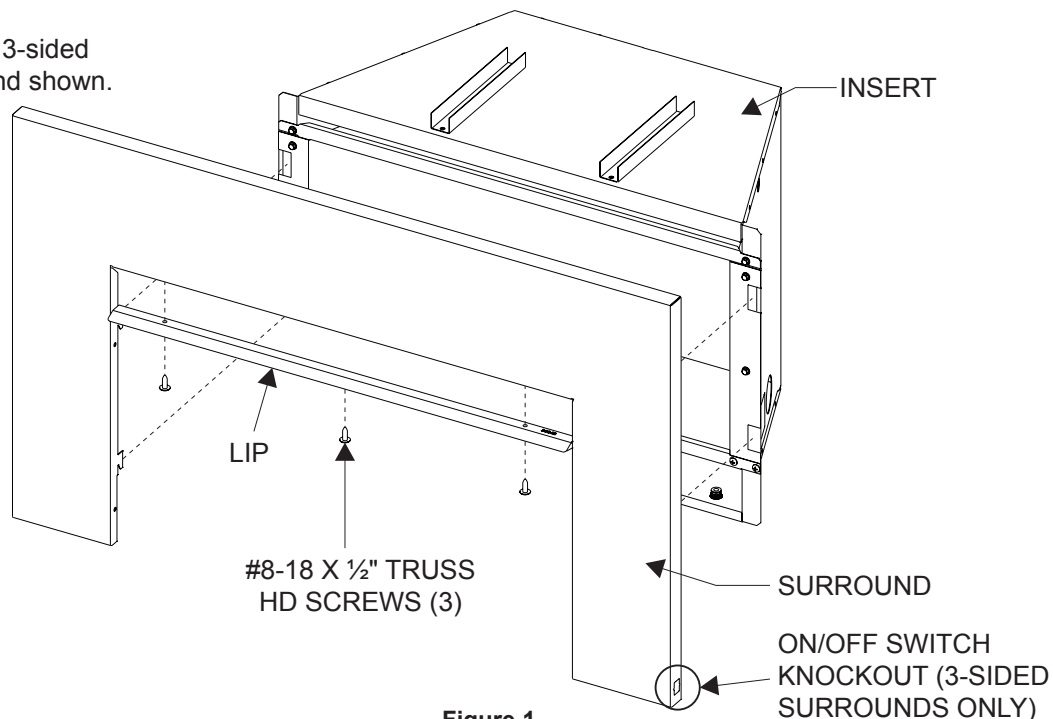


Figure 1