

INSTALLATION INSTRUCTIONS

3-PIECE FRAME KIT

INSTRUCTIONS MUST BE LEFT WITH THE OWNER FOR FUTURE REFERENCE AFTER INSTALLATION.

INSTALLING OPTIONAL FRAME KIT

NOTE: If applicable, remove plastic covering from sheet metal before installation.

1. Remove two (2) pan head Phillip screws from the right side of the firebox opening.
2. Align clearance holes in the right frame with screw holes in firebox.
3. Replace the two (2) screws removed earlier.
4. Repeat steps 1–3 to install left side of frame.
5. Slide top trim flange behind the flat portion of side trim. Be sure the flat portion of the top trim is in front of flat portion of side trim. **See Figure 1.**
6. Rear lip of top trim will nest behind the back portion of the side trim to keep trim flush to finished material. **See Figure 2.**
7. Installation of optional frame kit is completed.

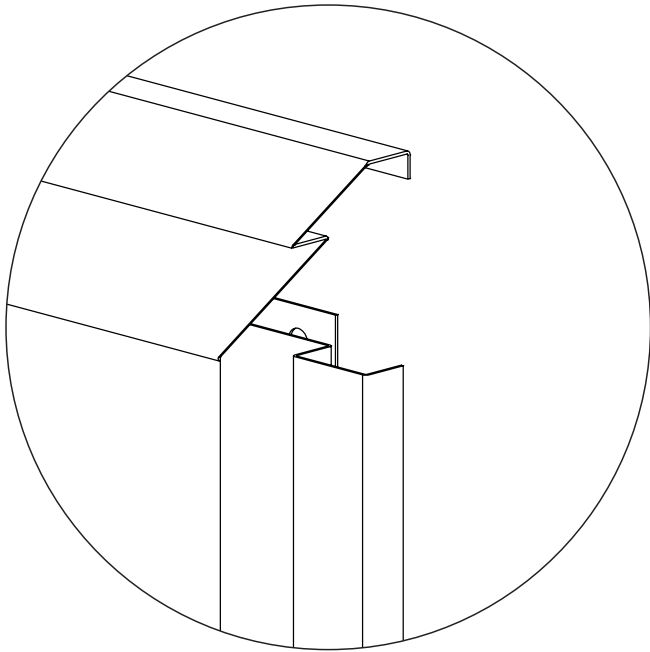


Figure 1

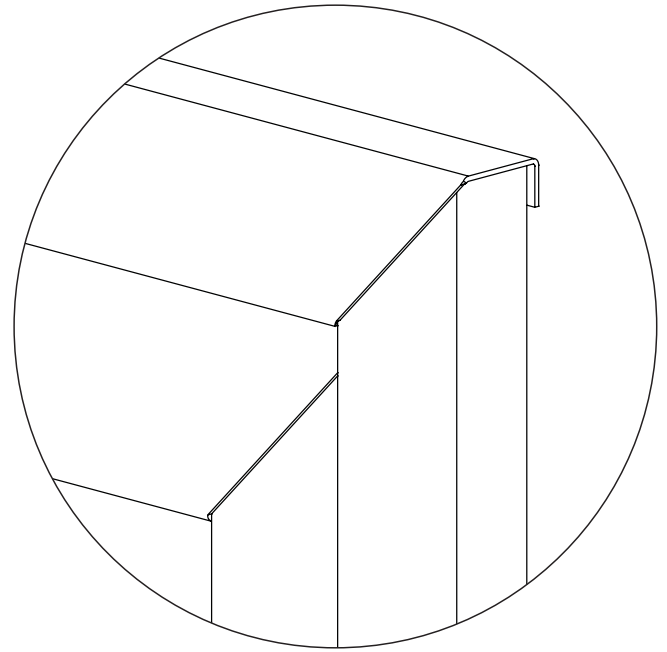
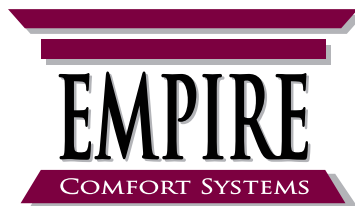


Figure 2



**Empire Comfort Systems Inc.
Belleville, IL**

If you have a general question
about our products, please e-mail
us at info@empirecomfort.com.

If you have a service or repair
question, please contact your dealer.

SINCE 1932

www.empirecomfort.com