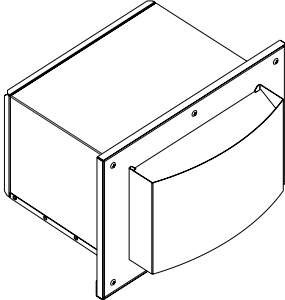
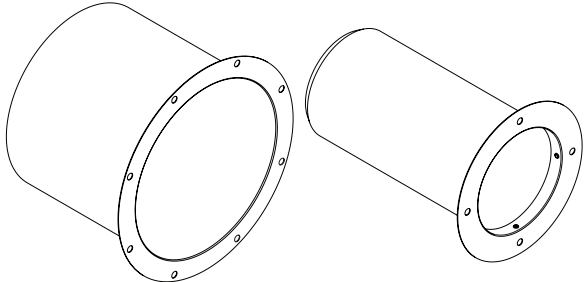
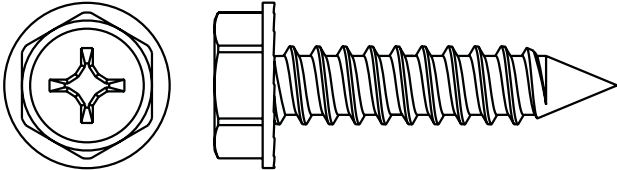
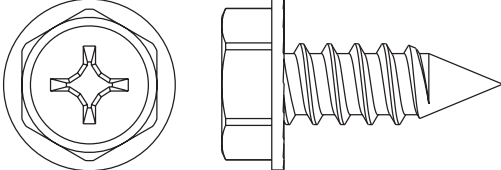


DVKPMP-1 HORIZONTAL POWER-VENT CARTON CONTENTS

CARTON CONTENTS AND HARDWARE PACKET IDENTIFICATION

<p>Items Not Shown To Scale</p> 	
<p>Power Vent Assembly</p>	<p>Dura-Vent Pipe Adaptor - QTY (1)</p>
	
<p>#10 X 1" Hex Head Screws - QTY (8)</p>	<p>#10 X 1/2" Hex Head Screws - QTY (12)</p>

TOOLS NEEDED:

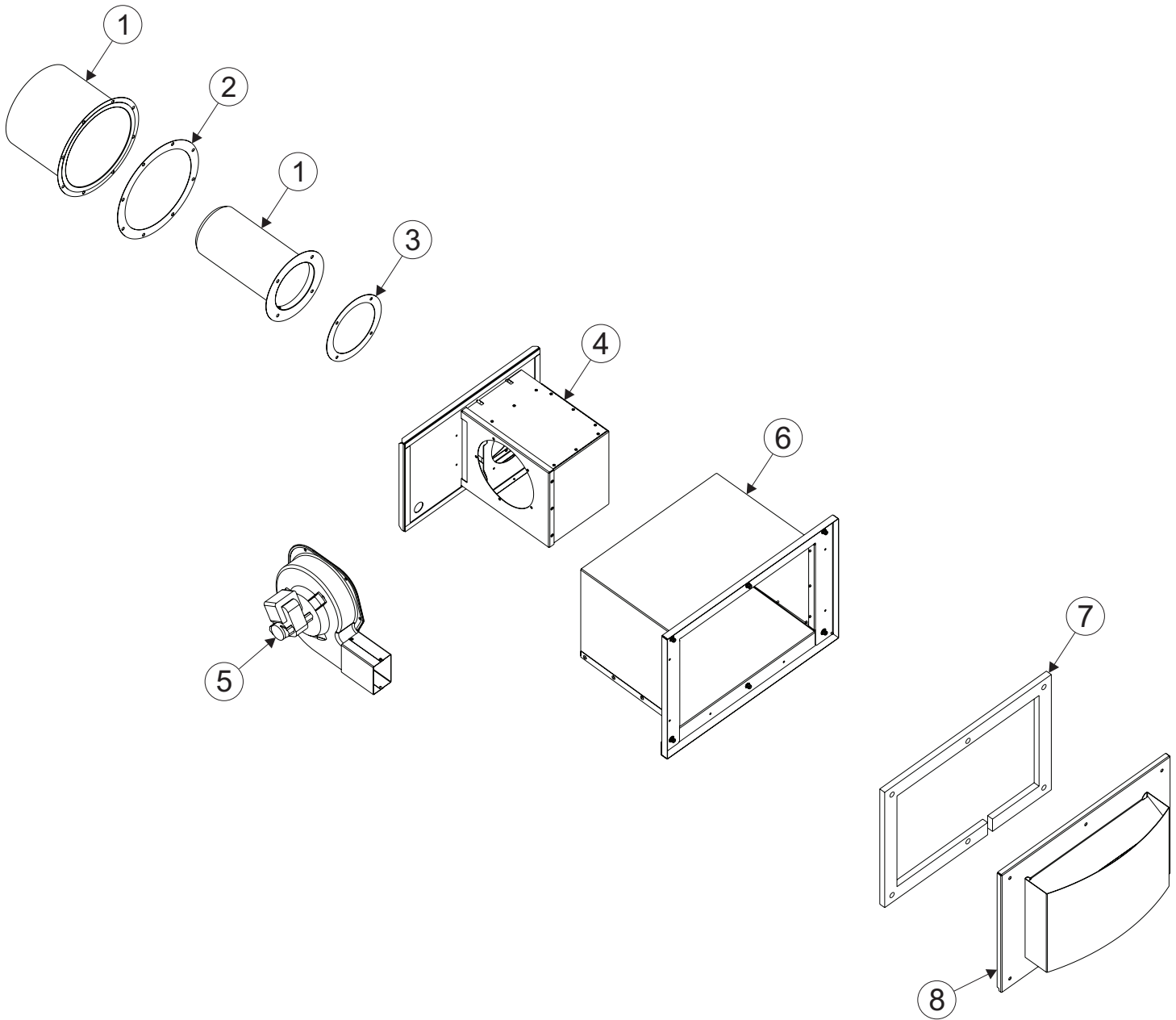
- 5/16 Inch Nut Driver or Screw Gun
- #2 Phillips Driver or Screw Gun
- 300° F Continuous Exposure Silicone Sealant

⚠ CAUTION

Sharp edges. Use gloves when installing this kit.

ACCESSORIES		
Description	Model Number	Used With
DVKCVP	Vertical Conversion Kit- Power Vent	DVKPMP
WHP25	25 Foot Wire Harness Kit	DVKPMP
WHP50	50 Foot Wire Harness Kit	DVKPMP
WHP75	75 Foot Wire Harness Kit	DVKPMP
WHP100	100 Foot Wire Harness Kit	DVKPMP

See fireplace Installation Instructions for installation requirements.



BLOWER ASSEMBLY PARTS LIST			
Index Number	Part Number	Description	Quantity
1	R12577	Dura-vent Pipe Adapter	1
2	R12575	Inlet Gasket	1
3	M163	Gasket, Flue Connector	1
4	*	Flue Box Assembly	1
5	R12756	Inducer Assembly	1
6	*	Air Intake Box assembly	1
7	R12578	Foam Gasket	1
8	40795	Fascia Assembly-Horizontal	1

* These items are not field serviceable.