



# INSTALLATION INSTRUCTIONS BURNER ASSEMBLY KITS

**KIT NUMBER 25620 FOR USE WITH (A)DV33IN33(N,P) AND  
KIT NUMBER 25621 FOR USE WITH (A)DV35IN35(N,P) DV INSERTS**

**INSTRUCTIONS MUST BE LEFT WITH THE OWNER FOR FUTURE REFERENCE AFTER INSTALLATION.**

## TOOLS NEEDED:

- 5/16" Nut Driver
- 1/4" Nut Driver
- 3/8" Wrench
- 9/16" Wrench

## REMOVAL OF OLD BURNER ASSEMBLY

1. Shut off gas supply to the DV Fireplace Insert prior to burner replacement.
2. Remove the glass door assembly and set aside.
3. Remove all of the logs from the burner and discard. **NOTE:** A complete new log set is included with the kit.
4. Using a 5/16" nut driver, remove the (2) screws that retain the rear log support bracket and discard this bracket.
5. Remove the air shutter screw with a 1/4" nut driver.
6. Locate the (4) screws which secure the grate base assembly to the firebox bottom and remove these screws using a 5/16" nut driver. See **Figure 1** for reference.
7. Gently pull forward on the burner/grate base assembly while making sure the air shutter disengages the venturi tube on back of the burner assembly.
8. Remove the complete burner with grate base/grate assembly and discard.
9. Rotate the air shutter counter clockwise to remove it off of the brass orifice fitting.
10. Use a 1/2" wrench to support the 90° orifice fitting, then remove the main burner orifice using a 3/8" wrench. Discard this orifice. New Natural Gas and Propane Gas orifices are provided with the replacement kit. Refer to the chart for the correct orifice to use based on the Insert model being repaired.

| ORIFICE SIZE AND AIR SHUTTER SETTINGS |          |        |                     |
|---------------------------------------|----------|--------|---------------------|
| Model                                 | Orifice  |        | Air Shutter Opening |
|                                       | Part No. | Size   |                     |
| (A)DV33IN33N                          | P257     | #40    | 3/16"               |
| (A)DV33IN33P                          | P214     | #53    | 1/2"                |
| (A)DV35IN33N                          | P324     | 2.60MM | 3/16"               |
| (A)DV35IN33P                          | P258     | 1.55MM | 1/2"                |

## INSTALLATION OF REPLACEMENT BURNER ASSEMBLY

1. Locate and install the new orifice into the orifice holder. Refer to the orifice chart for proper size. Check that the gas line connection to the orifice fitting is tight prior to re-installing the air shutter.
2. Re-install the air shutter onto the orifice holder. Spin it on as far as it will go, but do not tighten.
3. Prior to installing the new burner assembly, refer to **Figure 1**. Make sure the bottom burner support flanges are not bent. Adjust the front grate if needed to ensure that the front grate tangs are flush within a 1/8" to the front flanges of the fire-box.
4. Install the new burner/grate base assembly into the firebox. Line up the burner venturi tube with the air shutter, then gently position the burner assembly and shift rearward to line up the mounting holes. Minimize the amount of movement of the gas line (with air shutter attached) when installing the new burner assembly.
5. Secure the burner/grate base assembly to the firebox bottom with the (4) blunt style screws previously removed from original burner assembly. Do not over-tighten screws.
6. Re-install the air shutter screw. Adjust the air shutter according to the settings in the chart, then tighten the screw to secure.
7. Prior to installing the new Rear Log Support bracket, use a pliers to bend the various locator tabs to the angles specified in **Figure 2**. Refer to the illustration shown for the model being repaired.
8. Install the new rear log support included using the (2) previously removed screws.
9. Install the New log set. Logs are installed in the same orientation as the original set. **NOTE:** The new log set is similar to the original log set except the new assembly does not use the small front left and right logs.
10. Turn gas supply on and test for leaks in all connections using a soapy water solution. Do not use a flame to test for gas leaks.
11. Install the glass door assembly.
12. Test fire burner for proper operation.
13. Affix the burner replacement label (included with kit) to the inside bottom of the insert, near the rating plate.
14. Installation of the replacement burner assembly is complete.

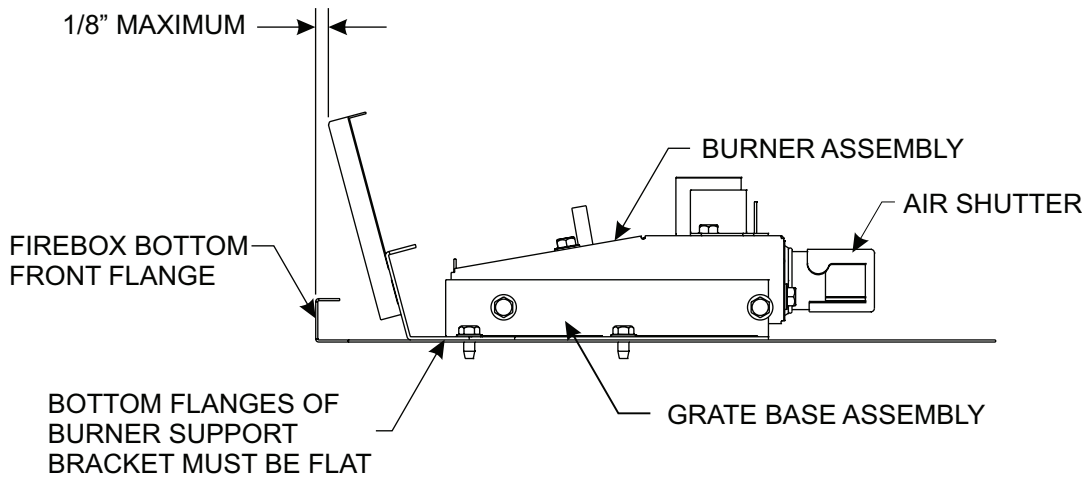


Figure 1

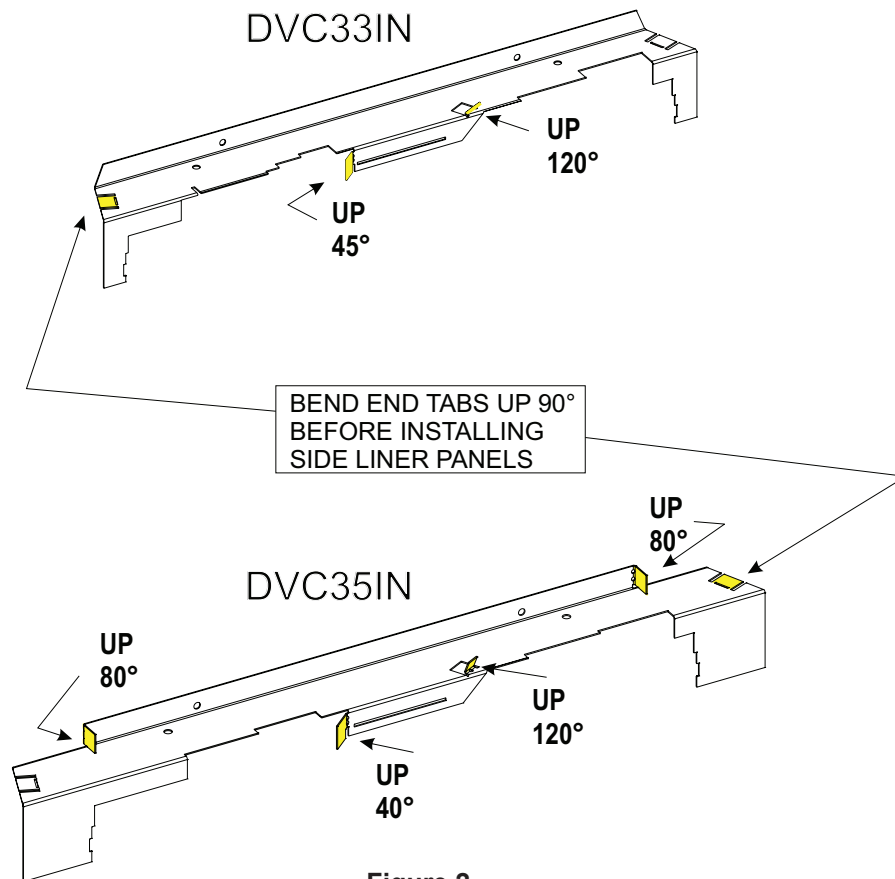


Figure 2



SINCE 1932

[www.empirecomfort.com](http://www.empirecomfort.com)

Empire Comfort Systems Inc.  
Belleville, IL

If you have a general question about our products, please e-mail us at [info@empirecomfort.com](mailto:info@empirecomfort.com).

If you have a service or repair question, please contact your dealer.