

BEVELED WINDOW FRAMES: DF362(NB,XBZT)-1 AND DF422(NB,XBZT)-1

FOR USE ON (A)DVCX SERIES FIREPLACES

MODEL NUMBER	DESCRIPTION	FITS (A)DVCX FIREPLACE SIZE
DF362NB	Beveled Window Frame - Brushed Nickel	36"
DF422NB	Beveled Window Frame - Brushed Nickel	42"
DF362XBZT	Beveled Window Frame - Oil Rubbed Bronze	36"
DF422XBZT	Beveled Window Frame - Oil Rubbed Bronze	42"

CLEANING

With the unit turned off and cool to the touch, use a 50/50 solution of vinegar and water and a clean soft cloth to remove dirt and fingerprints.

Clean doors and/or frame before and after start-up and again anytime oil or fingerprints are present.

When heated, oil from fingerprints or left over from manufacturing can permanently discolor the plating.

INSTALLATION

ATTENTION: Leave Barrier Screen in place when installing fronts.

1. Remove lower panel by lifting it up and out. **See Figure 1.**
 - a. Retain lower panel for future use. Turn to page 2.

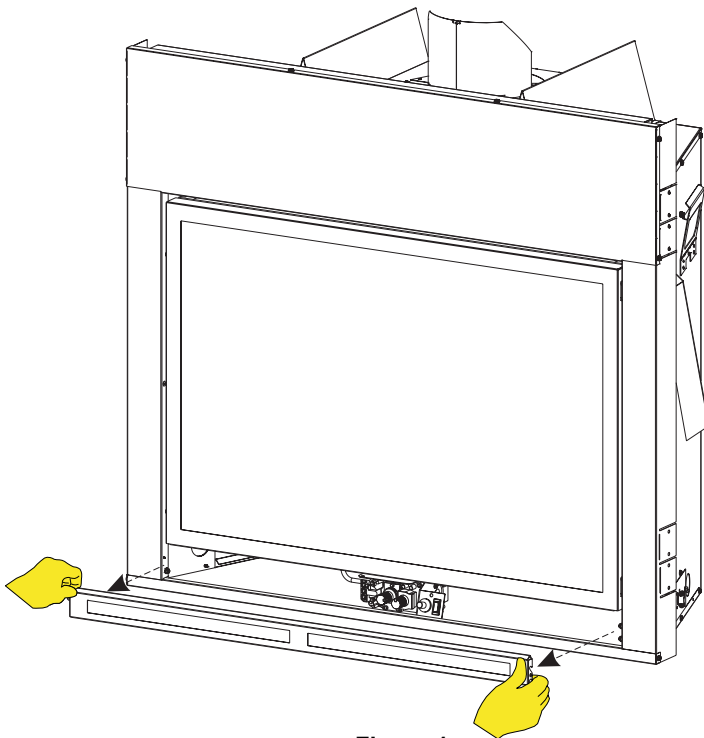


Figure 1

- NOTE:** The rear of the Beveled Window Frame is unfinished.
2. Move the four screws (two each side) to the forward holes. **See Figure 2.**

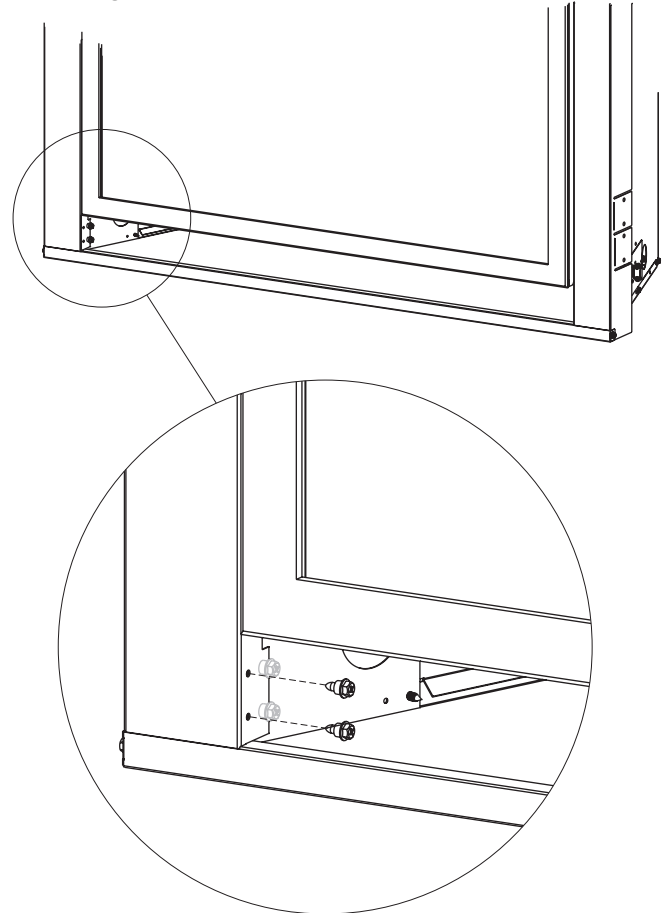


Figure 2

- Slide the decorative front onto the glass frame over the barrier screen so the notches hang on the four screws. **See Figure 3.**

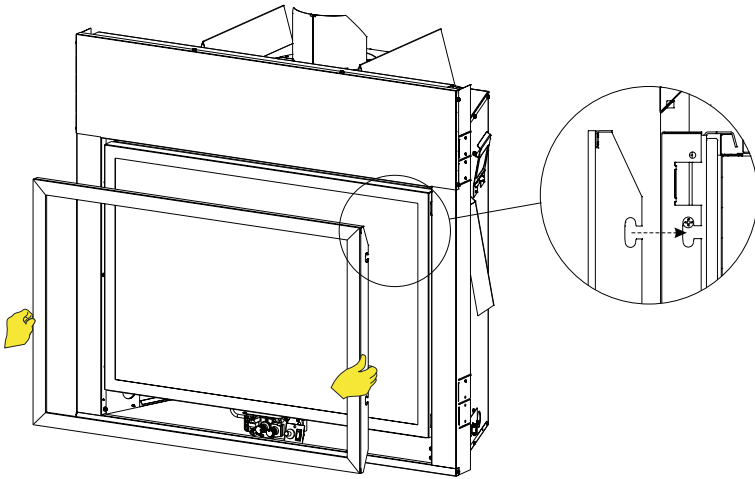


Figure 3

- Replace lower panel removed in Step 1. **See Figure 4.**

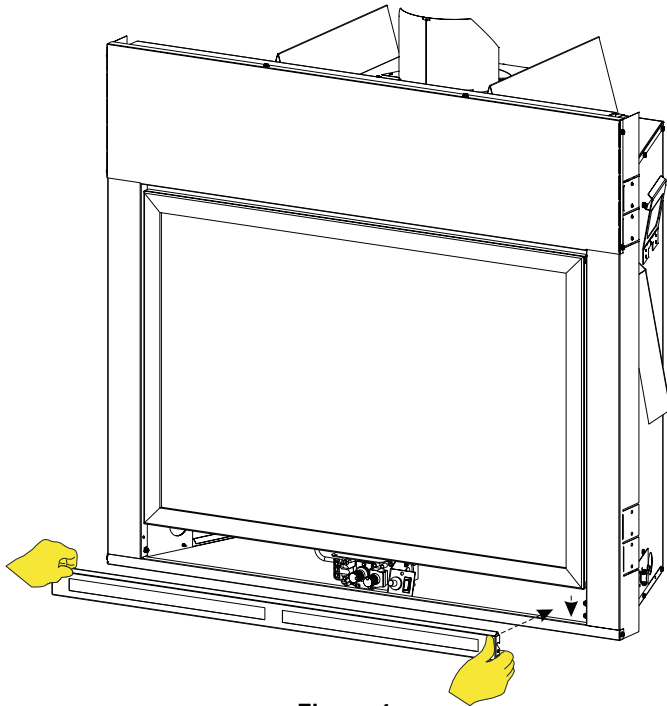


Figure 4



SINCE 1932

www.empirecomfort.com

**Empire Comfort Systems Inc.
Belleville, IL**

If you have a general question
about our products, please e-mail
us at info@empirecomfort.com.

If you have a service or repair
question, please contact your dealer.